

# Interior Lighting

Sicis Home



SICIS®



# Interior Lighting

Sicis Home



## Alphabetical Index

Albedo Table Lamp.....	page 196	Helie Suspended Lamp 120.....	page 159
Amalsonte Table Lamp.....	page 153	Honorina Galla Placidia Floor Lamp.....	page 160
Andromeda Ceiling Lamp <i>fumé/bronzed</i> .....	page 69	Lescot Floor Lamp <i>bronzed/chromed</i> .....	page 103
Andromeda Chandelier <i>bronzed/fumé</i> .....	page 66	Lescot Table Lamp 1 <i>bronzed/chromed</i> .....	page 104
Andromeda Wall Sconce <i>fumé/bronzed</i> .....	page 72	Lescot Table Lamp 2 <i>bronzed/chromed</i> .....	page 107
Ballet Ceiling Lamp 6 <i>bronzed/chromed</i> .....	page 91	Licinia Valerie Floor Lamp.....	page 162
Ballet Ceiling Lamp <i>bronzed</i> .....	page 74	Odeon Ceiling Lamp.....	page 149
Ballet Ceiling Lamp <i>chromed</i> .....	page 82	Odeon Floor Lamp.....	page 150
Ballet Chandelier <i>bronzed/chromed</i> .....	page 94	Odeon Table Lamp.....	page 151
Ballet Table Lamp <i>bronzed/chromed</i> .....	page 98	Odissey Ceiling Lamp.....	page 124
Ballet Wall Sconce <i>bronzed</i> .....	page 86	Odissey Wall Sconce.....	page 128
Ballet Wall Sconce <i>chromed</i> .....	page 88	Oscar Ceiling Lamp.....	page 43
Bauta Ceiling Lamp 1.....	page 143	Oscar Chandelier.....	page 44
Bauta Ceiling Lamp 2.....	page 144	Oscar Floor Lamp.....	page 47
Bauta Ceiling Lamp 3.....	page 145	Oscar Table Lamp.....	page 48
Bauta Wall Sconce.....	page 147	Oscar Wall Sconce.....	page 51
Dan Ceiling Lamp.....	page 52	Plaza Round Ceiling Lamp 90/120.....	page 166
Desideria Suspended Lamp 60.....	page 154	Plaza Square Ceiling Lamp 90/120.....	page 168
Desideria Suspended Lamp 80.....	page 155	Rigel Table Lamp.....	page 130
Desideria Suspended Lamp 120.....	page 156	Royale Ceiling Lamp.....	page 172
Element K Ceiling Lamp.....	page 138	Rubedo Chandelier.....	page 197
Etoile Floor Lamp.....	page 140	Selfies Wall Sconce Collection.....	page 135
Fluxus Ceiling Lamp <i>bronzed</i> .....	page 114	Siam Ceiling Lamp.....	page 174
Fluxus Ceiling Lamp <i>chromed</i> .....	page 116	Siam Chandelier.....	page 180
Fluxus Chandelier <i>bronzed</i> .....	page 108	Siam Floor Lamp.....	page 181
Fluxus Chandelier <i>chromed</i> .....	page 113	Siam Table Lamp.....	page 186
Fluxus Floor Lamp <i>bronzed/chromed</i> .....	page 118	Siam Wall Sconce.....	page 188
Fluxus Wall Sconce <i>bronzed/chromed</i> .....	page 120	Tellus Table Lamp.....	page 132
Gemma Ceiling Lamp 1.....	page 11	Theodelinde Rosemonde Table Lamp.....	page 164
Gemma Ceiling Lamp 2.....	page 12	Tris Floor Lamp.....	page 30
Gemma Ceiling Lamp 3.....	page 15	Tris Liseuse.....	page 33
Gemma Floor Lamp 1.....	page 16	Tris Table Lamp.....	page 36
Gemma Floor Lamp 2.....	page 17	Tris Wall Sconce.....	page 39
Gemma Table Lamp 1.....	page 20	Venus Ceiling Lamp.....	page 54
Gemma Table Lamp 2.....	page 23	Venus Floor Lamp.....	page 59
Gemma Wall Sconce 1.....	page 24	Venus Table Lamp.....	page 60
Gemma Wall Sconce 2.....	page 25	Venus Wall Sconce.....	page 65
Gemma Wall Sconce 3.....	page 26	Visconti Floor Lamp.....	page 190
Gemma Wall Sconce 4.....	page 27	Visconti Table Lamp.....	page 191
Helie Suspended Lamp 60.....	page 157	Visconti Wall Sconce <i>bronzed/chromed</i> .....	page 194
Helie Suspended Lamp 80.....	page 158		
		DISPLAYS CONCEPT.....	page 198



# Category Index

## CHANDELIERS-CEILING LAMPS / COLLEZIONE DI LAMPADE A SOSPENSIONE

															
ANDROMEDA Ceiling Lamp fumé/bronzed page 69	ANDROMEDA Chandelier fumé/bronzed page 66	BALLET Ceiling Lamp bronzed page 74	BALLET Ceiling Lamp chromed page 82	BALLET Ceiling Lamp 6 bronzed/chromed page 91	BALLET Chandelier bronzed/chromed page 94	BAUTA Ceiling Lamp 1 page 143	BAUTA Ceiling Lamp 2 page 144	BAUTA Ceiling Lamp 3 page 145	DAN Ceiling Lamp page 52	DESIDERIA Suspended Lamp 60 page 154	DESIDERIA Suspended Lamp 80 page 155	DESIDERIA Suspended Lamp 120 page 156	ELEMENT K Ceiling Lamp page 138	FLUXUS Ceiling Lamp bronzed page 114	FLUXUS Ceiling Lamp chromed page 116
															
FLUXUS Chandelier bronzed page 108	FLUXUS Chandelier chromed page 113	GEMMA Ceiling Lamp 1 page 11	GEMMA Ceiling Lamp 2 page 12	GEMMA Ceiling Lamp 3 page 15	HELIE Suspended Lamp 60 page 157	HELIE Suspended Lamp 80 page 158	HELIE Suspended Lamp 120 page 159	ODEON Ceiling Lamp page 149	ODISSEY Ceiling Lamp page 124	OSCAR Ceiling Lamp page 43	OSCAR Chandelier page 44	PLAZA ROUND Ceiling Lamp 90/120 page 166	PLAZA SQUARE Ceiling Lamp 90/120 page 168	ROYALE Ceiling Lamp page 172	RUBEDO Chandelier page 197
															
SIAM Ceiling Lamp bronzed page 174	SIAM Chandelier page 180	VENUS Ceiling Lamp page 54													

## FLOOR LAMPS / COLLEZIONE DI LAMPADE DA TERRA

													
ETOILE Floor Lamp page 140	FLUXUS Floor Lamp bronzed/chromed page 118	GEMMA Floor Lamp 1 page 16	GEMMA Floor Lamp 2 page 17	HONORINA GALLA PLACIDIA Floor Lamp page 160	LESCOT Floor Lamp bronzed/chromed page 103	LICINIA VALERIE Floor Lamp page 162	ODEON Floor Lamp page 150	OSCAR Floor Lamp page 47	SIAM Floor Lamp page 181	TRIS Floor Lamp page 30	TRIS Liseuse page 33	VENUS Floor Lamp page 59	VISCONTI Floor Lamp page 190

## TABLE LAMPS / COLLEZIONE DI LAMPADE DA TAVOLO

															
ALBEDO Table Lamp page 196	AMALSONTE Table Lamp page 153	BALLET Table Lamp bronzed/chromed page 98	GEMMA 1 Table Lamp page 20	GEMMA 2 Table Lamp page 23	LESCOT 1 Table Lamp bronzed/chromed page 104	LESCOT 2 Table Lamp bronzed/chromed page 107	ODEON Table Lamp page 151	OSCAR Table Lamp page 48	RIGEL Table Lamp page 130	SIAM Table Lamp bronzed page 186	TELLUS Table Lamp page 132	TRIS Table Lamp page 36	VISCONTI Table Lamp page 191	THEODELINDE ROSEMONDE Table Lamp page 164	VENUS Table Lamp page 60

## WALL SCONCE LAMPS / COLLEZIONE DI LAMPADE A PARETE

															
ANDROMEDA 1&2 Wall Sconce fumé-bronzed page 72	BALLET Wall Sconce bronzed page 86	BALLET Wall Sconce chromed page 88	BAUTA Wall Sconce page 147	FLUXUS Wall Sconce bronzed/chromed page 120	GEMMA 1 Wall Sconce page 24	GEMMA 2 Wall Sconce page 25	GEMMA 3 Wall Sconce page 26	GEMMA 4 Wall Sconce page 27	ODISSEY Wall Sconce page 128	OSCAR Wall Sconce page 51	SELFIES Wall Sconce Collection page 135	SIAM Wall Sconce page 188	TRIS Wall Sconce page 39	VENUS Wall Sconce page 65	VISCONTI Wall Sconce bronzed/chromed page 194



Designing light means going beyond the functional aspect of lighting, embracing a wider dimension that offers a sense of comfort, emphasizing the space and making each home a luxurious one.

Sicis with its international vocation and culture creates decorative lighting solutions characterized by a high quality Made in Italy manufacturing.

For this reason the company has created the new Interior Lighting Collections, reinterpreting the classic style with an opening to the artistic avant-garde and a mastery of the processing techniques thanks to the contribution of a specialized team.

In each piece we put a meticulous care to all the details and we use materials such as blown glass, chrome finishing and special metals, in addition to rosewood inserts and mosaic in precious materials such as gold.

The collections offer original products that combine design, art and experimentation, culture of living and furnishing, characterized by a personal and unique style.

*Progettare la luce significa andare oltre l'aspetto puramente funzionale dell'illuminazione, abbracciando una dimensione più ampia che offra una sensazione di comfort, dando risalto all'insieme e rendendo lussuosa ogni dimora.*

*Sicis è un'azienda con una vocazione e una cultura internazionali che crea soluzioni di illuminazione decorativa caratterizzate da un Made in Italy di grande qualità e manufacturing.*

*Per questo, nella continua ricerca del bello, ha realizzato le nuove Collezioni per l'illuminazione d'interni, reinterpretando lo stile classico con una apertura verso le avanguardie artistiche e una padronanza delle tecniche di lavorazione grazie all'apporto di un team specializzato.*

*In ogni pezzo troviamo una meticolosa cura dei dettagli e l'utilizzo di materie come il vetro soffiato, le finiture cromate e i metalli speciali, oltre agli inserti in legno di palissandro, al mosaico in materiali preziosi quali l'oro.*

*Le collezioni propongono quindi prodotti originali in cui si fondono design, arte e sperimentazione, cultura del vivere e dell'arredare, caratterizzate da uno stile personale e unico.*





# Gemma Ceiling Lamp 1

**Designer**

Massimiliano Raggi

**Description/Descrizione**

Metal Ceiling Lamp in Champagne finish, opalescent Vetrice Electric Marbles or Gem Glass diffuser.

*Lampada a soffitto con struttura metallica in finitura Champagne, diffusore in Vetrice Electric Marbles o Gem Glass opalescente.*

**Ceiling Rose/Rosone**

W: 40 x D: 12 cm - W: 15 3/4" x D: 4 3/4"

**Weight/Peso**

7 Kg - 15,4 lbs

**Bulb information/Attacco**

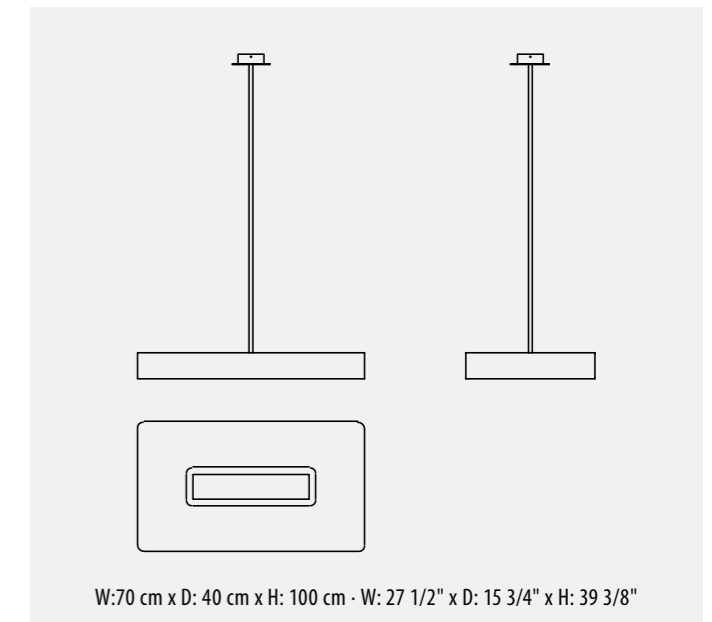
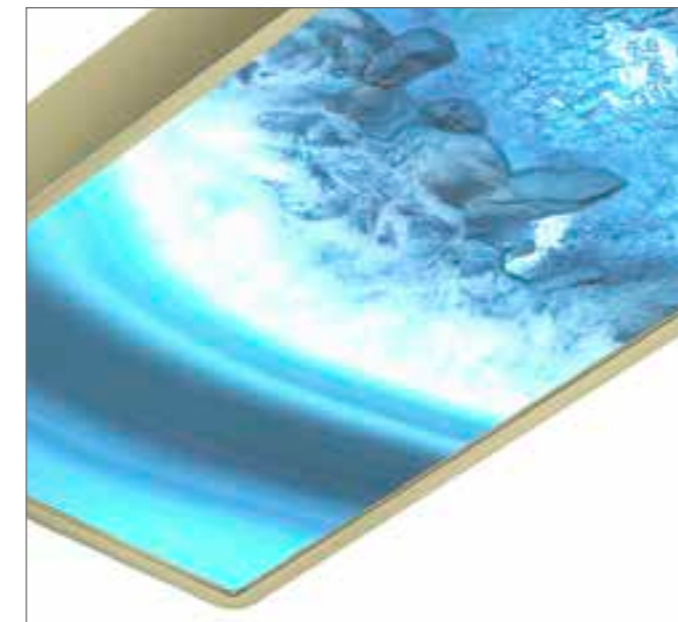
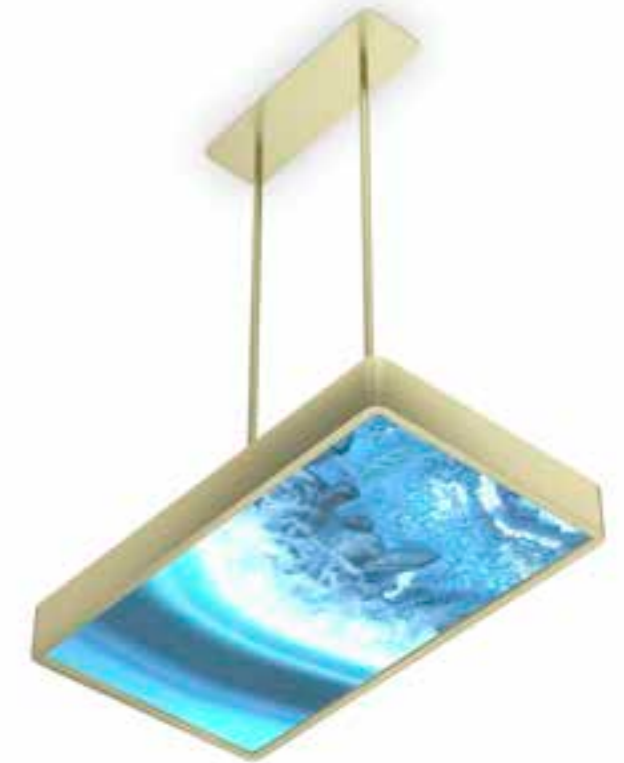
43 Watt STRIP LED - 3780 LUMEN - 3000 K

**Voltage/Tensione**

220 V - Different voltage on request

**Certification/Certificazione**

CE



# Gemma Ceiling Lamp 2

**Designer**

Massimiliano Raggi

**Description/Descrizione**

Metal Ceiling Lamp in Champagne finish, opalescent Vetrite Electric Marbles or Gem Glass diffuser.

*Lampada a soffitto con struttura metallica in finitura Champagne, diffusore in Vetrite Electric Marbles o Gem Glass opalescente.*

**Ceiling Rose/Rosone**

W: 40 x D: 12 cm - W: 15 3/4" x D: 4 3/4"

**Weight/Peso**

8 Kg - 17,6 lbs

**Bulb information/Attacco**

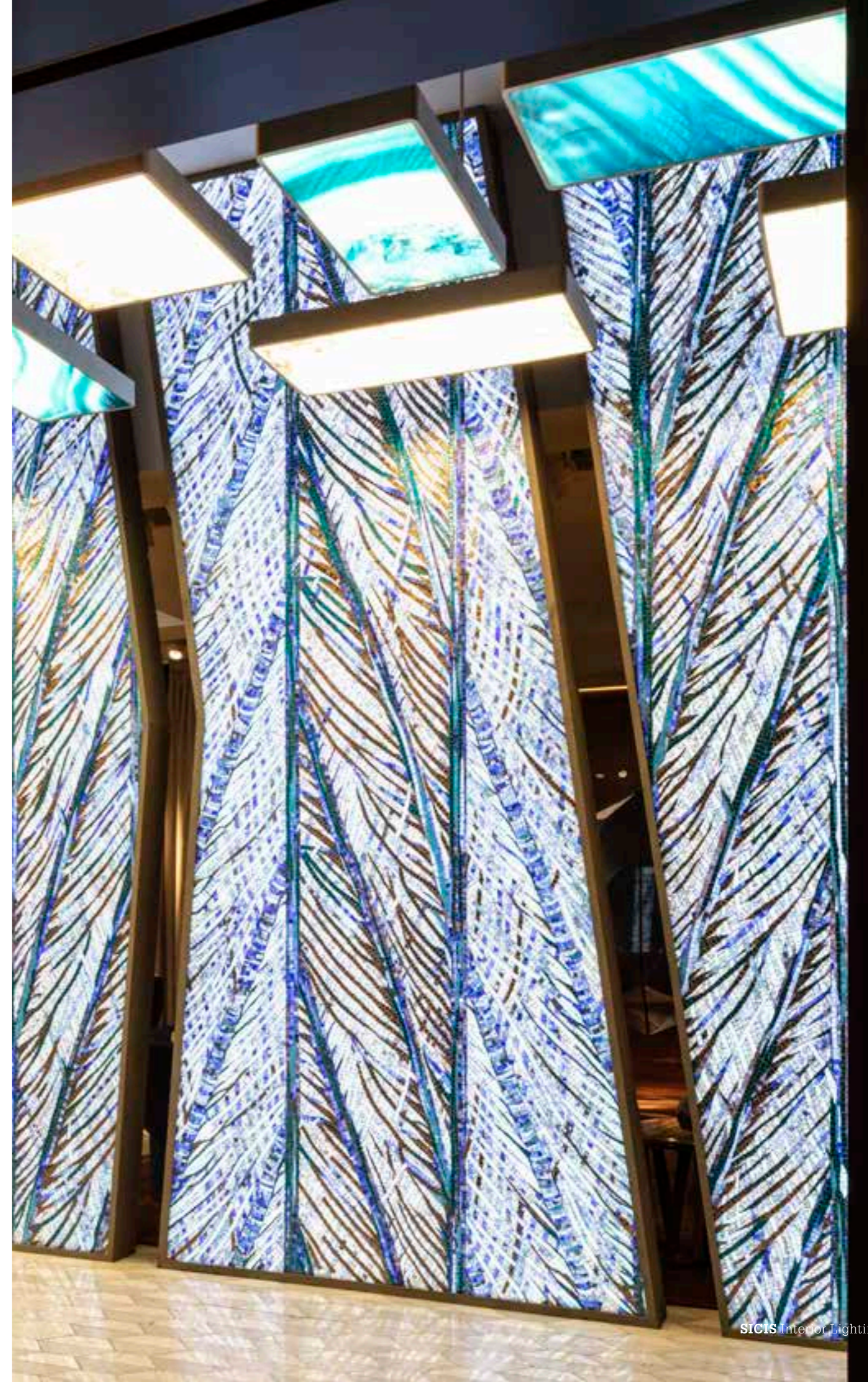
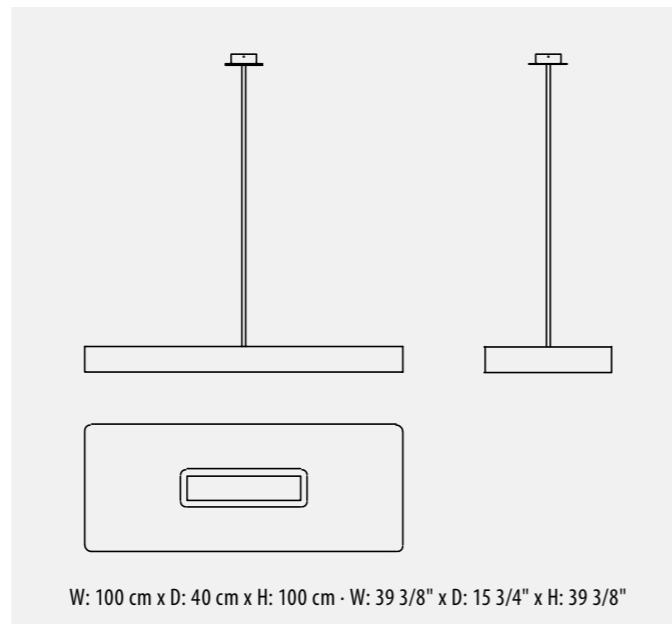
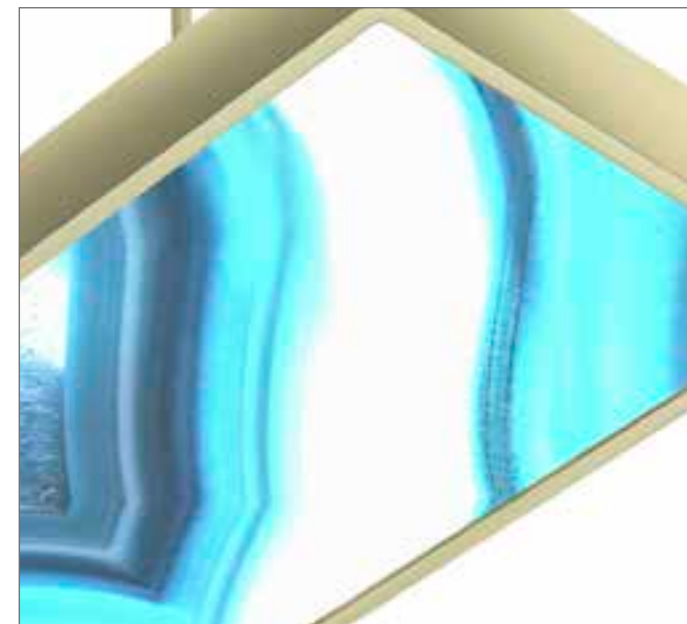
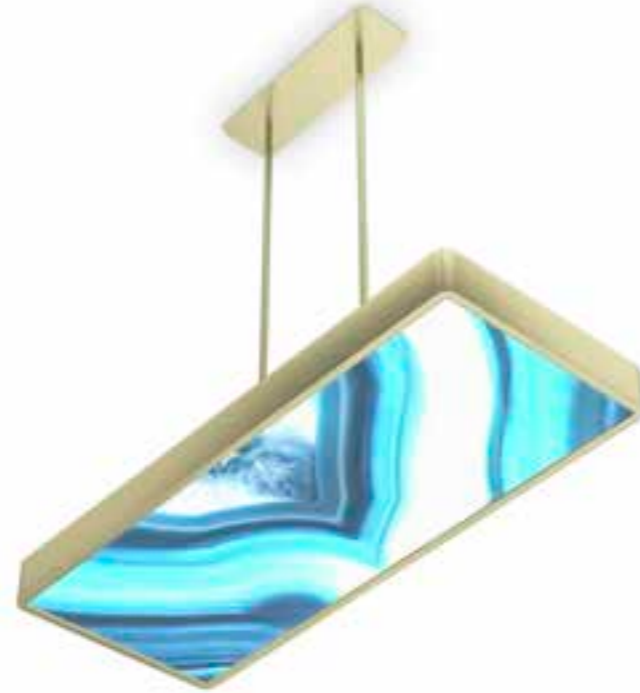
65 Watt STRIP LED - 3150 LUMEN - 3000 K

**Voltage/Tensione**

220 V - Different voltage on request

**Certification/Certificazione**

CE





## Interior Lighting

## Gemma Ceiling Lamp 3

## Designer

Massimiliano Raggi

## Description/Descrizione

Metal Ceiling Lamp in Champagne finish, opalescent Vetrice Electric Marbles or Gem Glass diffuser.

*Lampada a soffitto con struttura metallica in finitura Champagne, diffusore in Vetrice Electric Marbles o Gem Glass opalescente.*

## Ceiling Rose/Rosone

W: 40 x D: 12 cm - W: 15 3/4" x D: 4 3/4"

## Weight/Peso

6 Kg - 13,2 lbs

## Bulb information/Attacco

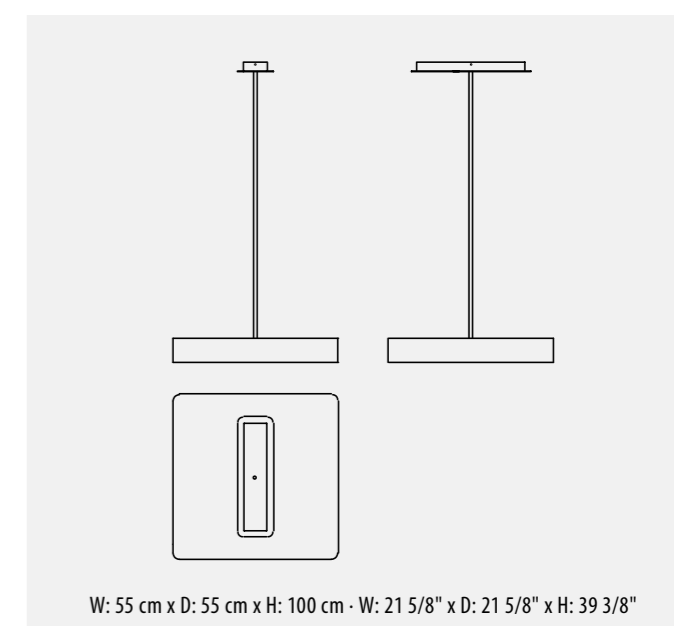
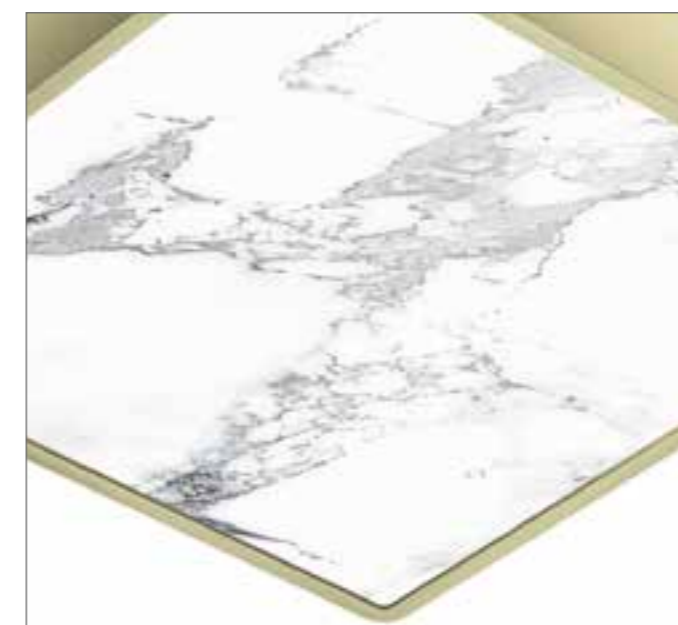
46 Watt STRIP LED - 3400 LUMEN - 3000 K

## Voltage/Tensione

220 V - Different voltage on request

## Certification/Certificazione

CE



# Gemma Floor Lamp 1

**Designer**

Massimiliano Raggi

**Description/Descrizione**

Metal Floor Lamp in Champagne finish, opalescent Vetrice Electric Marbles or Gem Glass diffuser.

*Lampada da terra con struttura metallica in finitura Champagne, diffusore in Vetrice Electric Marbles o Gem Glass opalescente.*

**Weight/Peso**

30 Kg - 66 lbs

**Bulb information/Attacco**

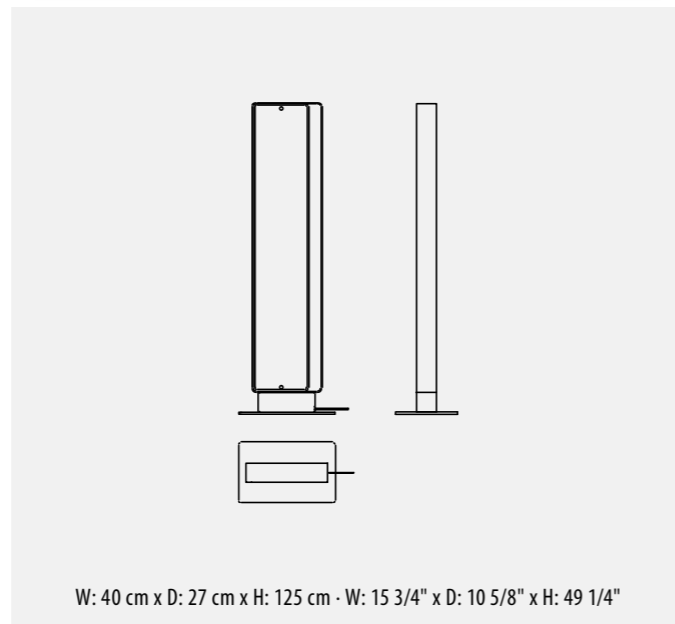
40 Watt STRIP LED - 2670 LUMEN - 3000 K

**Voltage/Tensione**

220 V - Different voltage on request

**Certification/Certificazione**

CE



# Gemma Floor Lamp 2

**Designer**

Massimiliano Raggi

**Description/Descrizione**

Metal Floor Lamp in Champagne finish, opalescent Vetrice Electric Marbles or Gem Glass diffuser.

*Lampada da terra con struttura metallica in finitura Champagne, diffusore in Vetrice Electric Marbles o Gem Glass opalescente.*

**Weight/Peso**

30 Kg - 66 lbs

**Bulb information/Attacco**

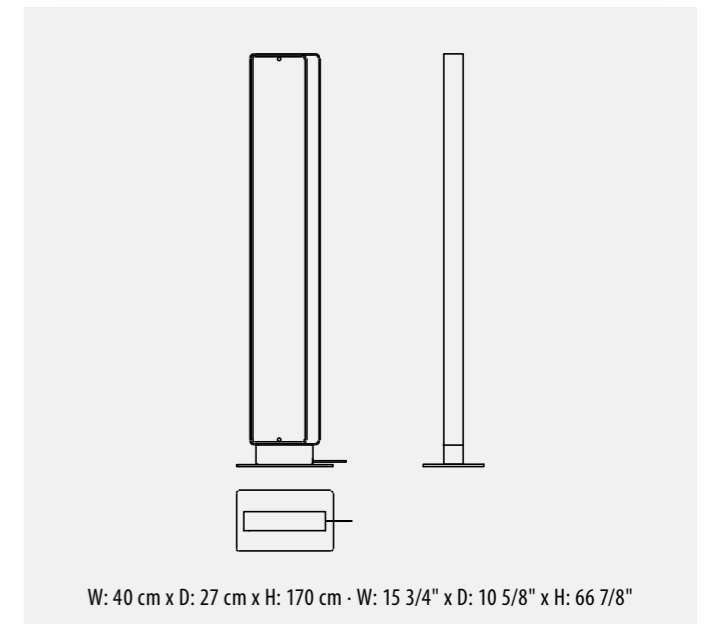
52 Watt STRIP LED - 3450 LUMEN - 3000 K

**Voltage/Tensione**

220 V - Different voltage on request

**Certification/Certificazione**

CE





# Gemma Table Lamp 1

**Designer**

Massimiliano Raggi

**Description/Descrizione**

Metal Table Lamp in Champagne finish, opalescent Vetrice Electric Marbles or Gem Glass diffuser.

*Lampada da tavolo con struttura metallica in finitura Champagne, diffusore in Vetrice Electric Marbles o Gem Glass opalescente.*

**Weight/Peso**

8 Kg · 17,6 lbs

**Bulb information/Attacco**

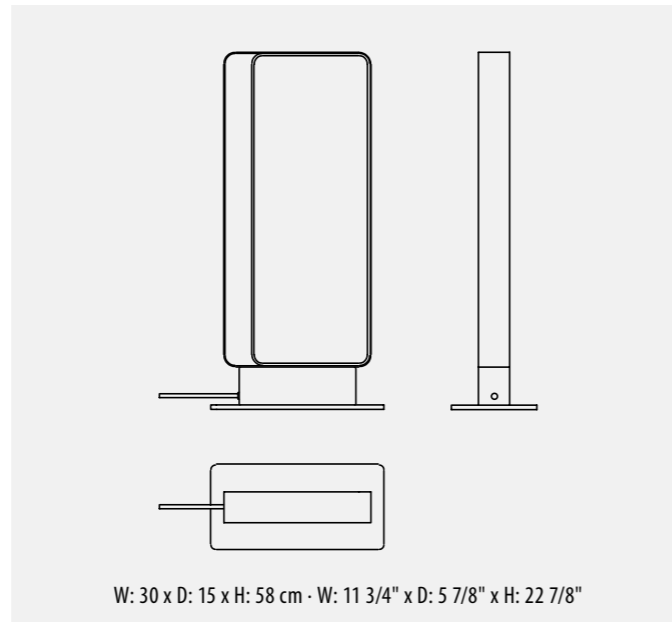
21 Watt STRIP LED · 1400 LUMEN · 3000 K

**Voltage/Tensione**

220 V · Different voltage on request

**Certification/Certificazione**

CE



# Gemma Table Lamp 2

**Designer**

Massimiliano Raggi

**Description/Descrizione**

Metal Table Lamp in Champagne finish, opalescent Vetrice Electric Marbles or Gem Glass diffuser.

*Lampada da tavolo con struttura metallica in finitura Champagne, diffusore in Vetrice Electric Marbles o Gem Glass opalescente.*

**Weight/Peso**

8 Kg · 17,6 lbs

**Bulb information/Attacco**

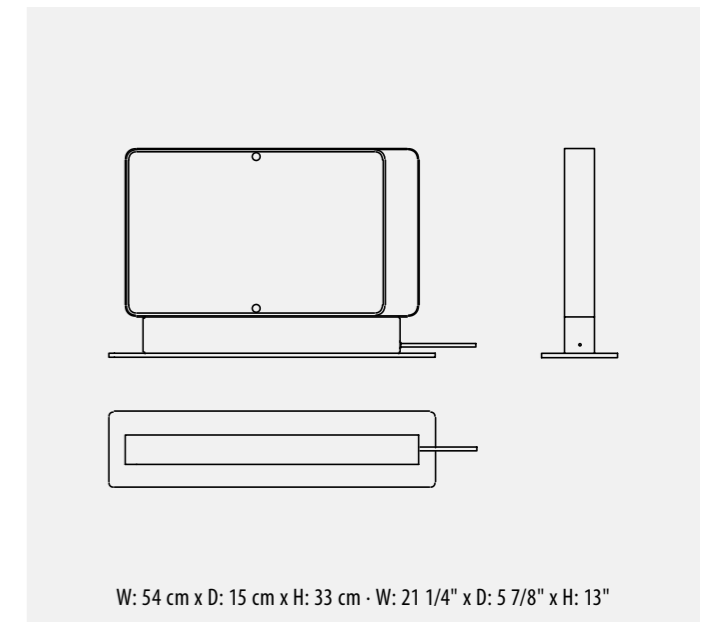
22 Watt STRIP LED · 1455 LUMEN · 3000 K

**Voltage/Tensione**

220 V · Different voltage on request

**Certification/Certificazione**

CE



# Gemma Wall Sconce 1

**Designer**

Massimiliano Raggi

**Description/Descrizione**

Metal Wall Sconce in Champagne finish, opalescent Vetrinite Electric Marbles or Gem Glass diffuser.

*Lampada da parete con struttura metallica in finitura Champagne, diffusore in Vetrinite Electric Marbles o Gem Glass opalescente.*

**Fixing frame/Ingombro fissaggio**

W: 12 cm x H: 29 cm · W: 4 3/4" x H: 11 3/8"

**Weight/Peso**

5 Kg · 11 lbs

**Bulb information/Attacco**

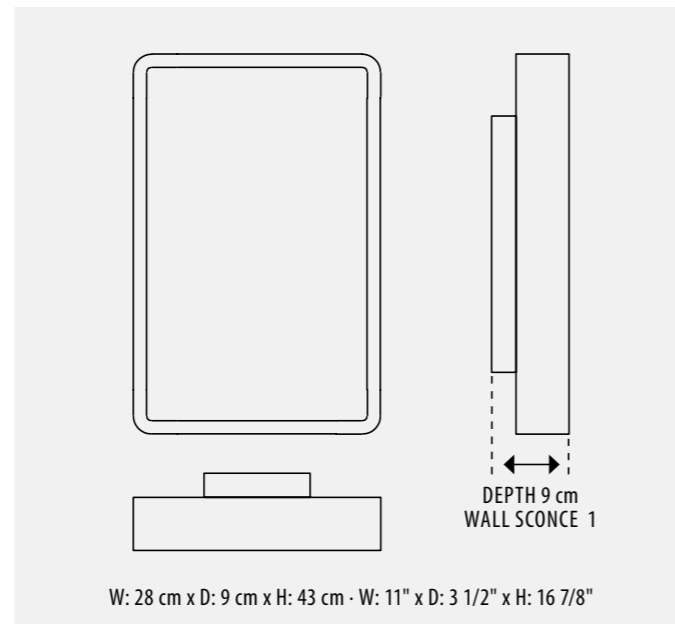
20 Watt STRIP LED · 1310 LUMEN · 3000 K

**Voltage/Tensione**

220 V · Different voltage on request

**Certification/Certificazione**

CE



# Gemma Wall Sconce 2

**Designer**

Massimiliano Raggi

**Description/Descrizione**

Metal Wall Sconce in Champagne finish, opalescent Vetrinite Electric Marbles or Gem Glass diffuser.

*Lampada da parete con struttura metallica in finitura Champagne, diffusore in Vetrinite Electric Marbles o Gem Glass opalescente.*

**Fixing frame/Ingombro fissaggio**

W: 5 cm x H: 20 cm · W: 2" x H: 7 7/8"

**Weight/Peso**

7 Kg · 15,4 lbs

**Bulb information/Attacco**

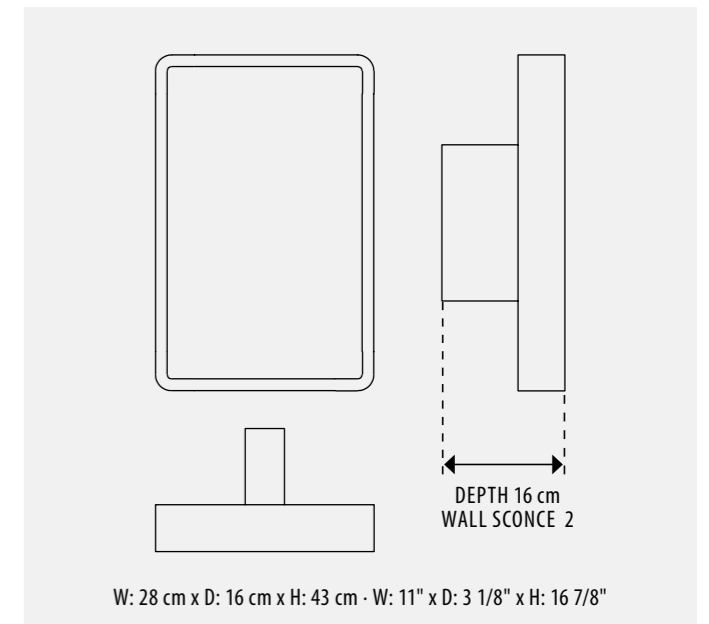
20 Watt STRIP LED · 1310 LUMEN · 3000 K

**Voltage/Tensione**

220 V · Different voltage on request

**Certification/Certificazione**

CE



# Gemma Wall Sconce 3

**Designer**

Massimiliano Raggi

**Description/Descrizione**

Metal Wall Sconce in Champagne finish, opalescent Vetrice Electric Marbles or Gem Glass diffuser.

*Lampada da parete con struttura metallica in finitura Champagne, diffusore in Vetrice Electric Marbles o Gem Glass opalescente.*

**Fixing frame/Ingombro fissaggio**

W: 12 cm x H: 29 cm · W: 4 3/4" x H: 11 3/8"

**Weight/Peso**

4 Kg · 8,8 lbs

**Bulb information/Attacco**

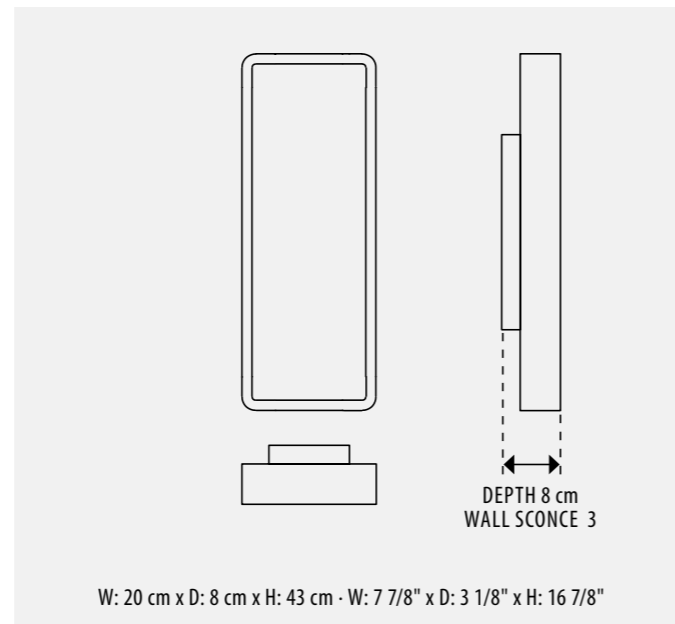
20 Watt STRIP LED · 1360 LUMEN · 3000 K

**Voltage/Tensione**

220 V · Different voltage on request

**Certification/Certificazione**

CE



# Gemma Wall Sconce 4

**Designer**

Massimiliano Raggi

**Description/Descrizione**

Metal Wall Sconce in Champagne finish, opalescent Vetrice Electric Marbles or Gem Glass diffuser.

*Lampada da parete con struttura metallica in finitura Champagne, diffusore in Vetrice Electric Marbles o Gem Glass opalescente.*

**Fixing frame/Ingombro fissaggio**

W: 5 cm x H: 20 cm · W: 2" x H: 7 7/8"

**Weight/Peso**

6 Kg · 13,2 lbs

**Bulb information/Attacco**

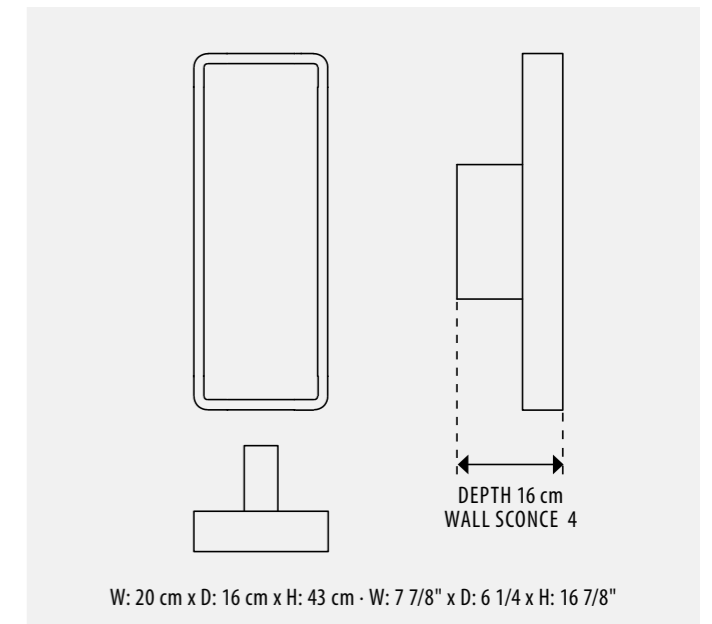
20 Watt STRIP LED · 1360 LUMEN · 3000 K

**Voltage/Tensione**

220 V · Different voltage on request

**Certification/Certificazione**

CE





WALL SCONCE 1

WALL SCONCE 3

WALL SCONCE 2

WALL SCONCE 3



# Tris Floor Lamp

**Designer**

Massimiliano Raggi

**Description/Descrizione**

Metal Floor Lamp in Champagne finish.  
Murano transparent spheres and decorative leather cylinders.

*Lampada da terra con struttura in metallo finitura Champagne.  
Sfere in vetro murato e manicotti decorativi in pelle.*

**Weight/Peso**

12 Kg - 26,4 lbs

**Bulb information/Attacco**

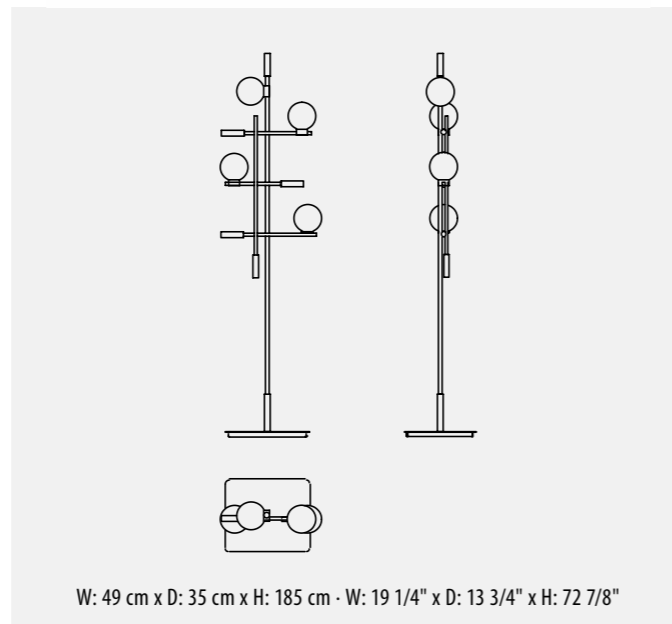
no.4 - Max 28 Watt G9 incl.

**Voltage/Tensione**

220 V - Different voltage on request

**Certification/Certificazione**

CE





Interior Lighting

SICIS

## Tris Liseuse

### Designer

Massimiliano Raggi

### Description/Descrizione

Metal Reading Lamp in Champagne finish.  
Murano transparent spheres and decorative leather cylinders.

*Lampada da lettura con struttura in metallo finitura Champagne.  
Sfere in vetro murato e manicotti decorativi in pelle.*

### Weight/Peso

10 Kg - 22 lbs

### Bulb information/Attacco

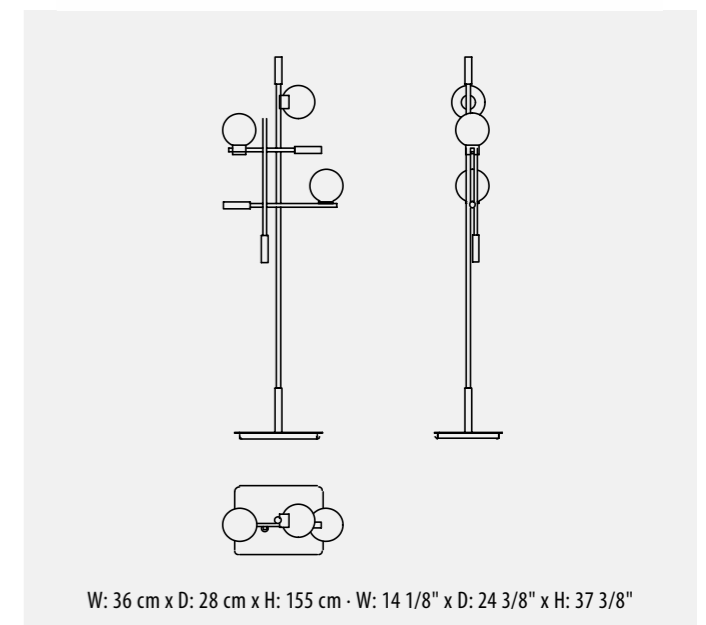
no.3 - Max 28 Watt G9 incl.

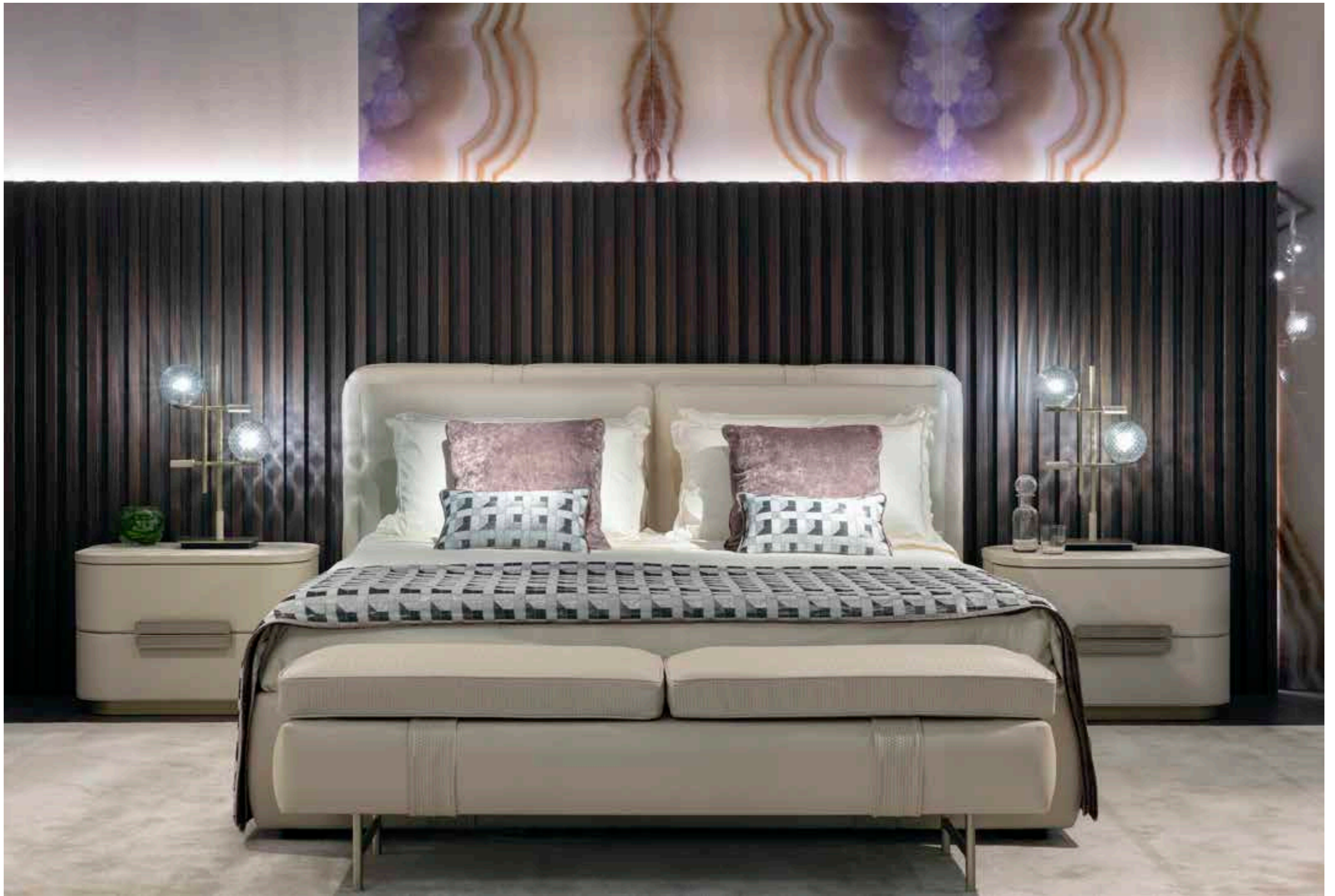
### Voltage/Tensione

220 V - Different voltage on request

### Certification/Certificazione

CE





# Tris Table Lamp

**Designer**

Massimiliano Raggi

**Description/Descrizione**

Metal Table Lamp in Champagne finish.  
Murano transparent spheres and decorative leather cylinders.

*Lampada da tavolo con struttura in metallo finitura Champagne.  
Sfere in vetro murato e manicotti decorativi in pelle.*

**Weight/Peso**

4 Kg - 8,8 lbs

**Bulb information/Attacco**

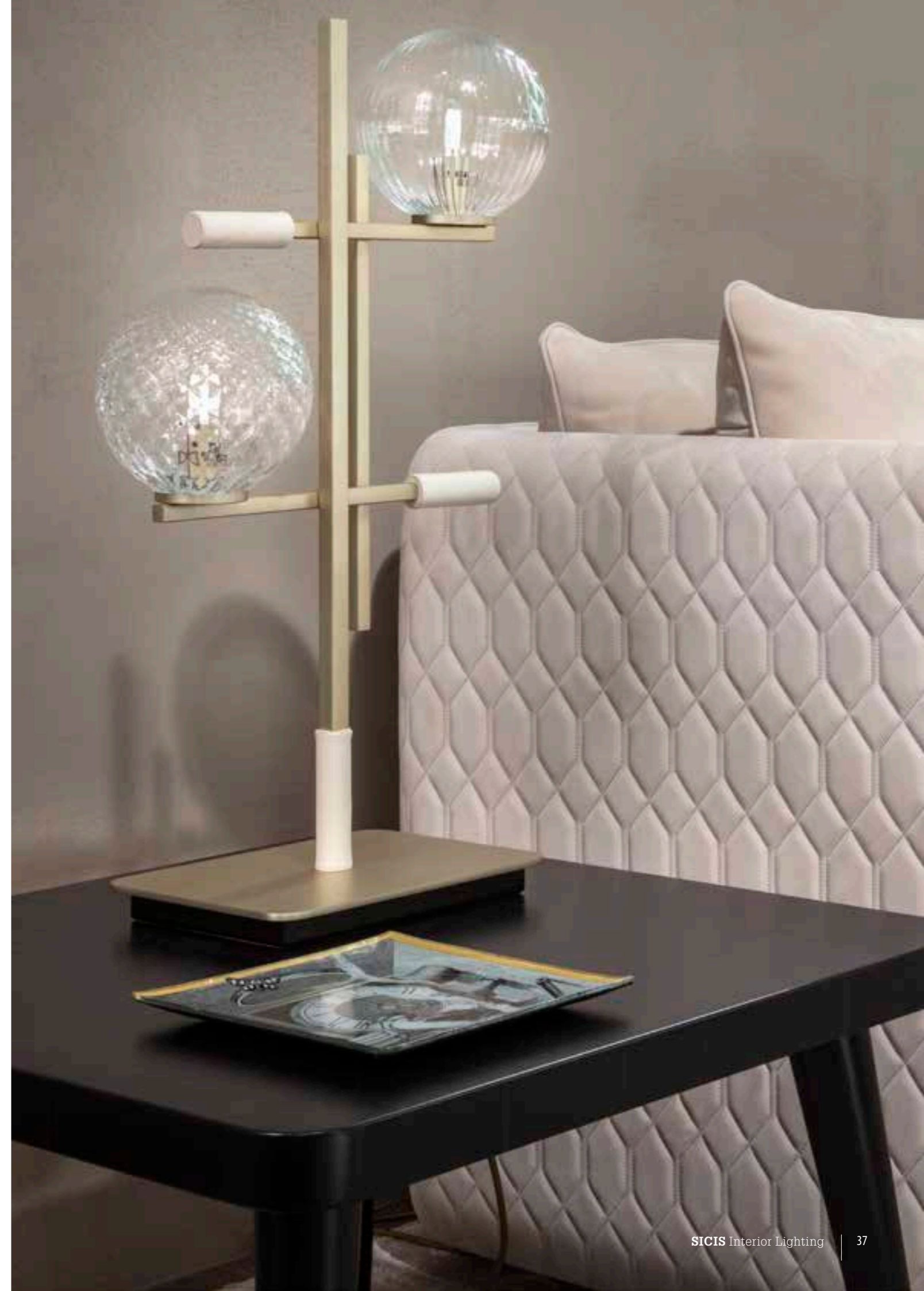
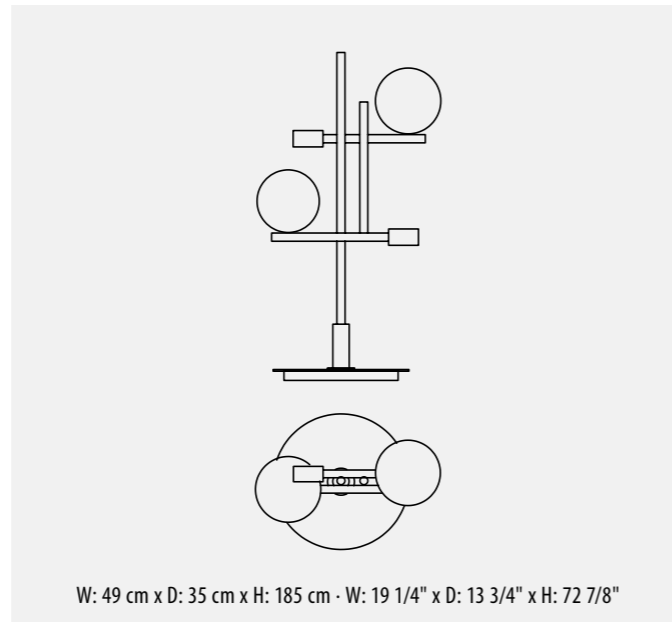
no.2 - Max 28 Watt G9 incl.

**Voltage/Tensione**

220 V - Different voltage on request

**Certification/Certificazione**

CE



## Interior Lighting

## Tris Wall Sconce

## Designer

Massimiliano Raggi

## Description/Descrizione

Metal Wall Sconce in Champagne finish.  
Murano transparent spheres and decorative leather cylinders.

*Lampada da parete con struttura in metallo finitura Champagne.  
Sfere in vetro murato e manicotti decorativi in pelle.*

## Fixing frame/Ingombro fissaggio

W: 5 cm x H: 33 cm - W: 2" x H: 13"

## Weight/Peso

3 Kg - 6,6 lbs

## Bulb information/Attacco

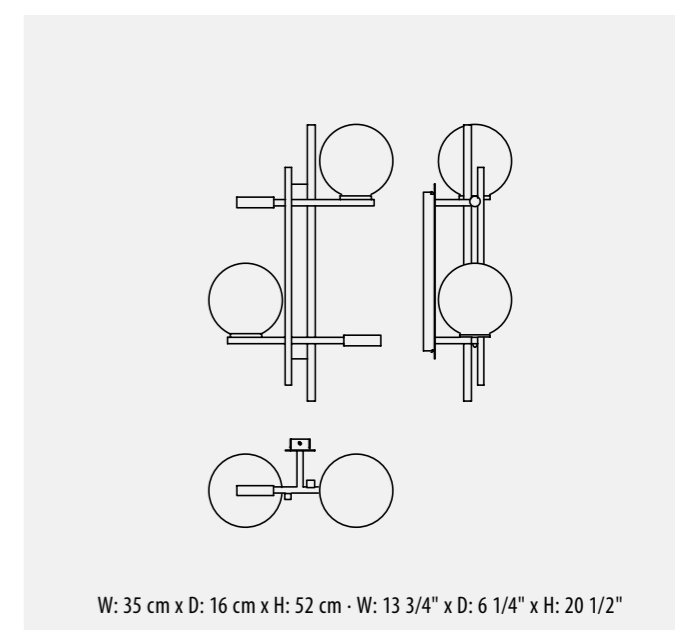
no.2 - Max 28 Watt G9 incl.

## Voltage/Tensione

220 V - Different voltage on request

## Certification/Certificazione

CE





## Interior Lighting

## Oscar Ceiling Lamp

**Designer**

Massimiliano Raggi

**Description/Descrizione**

Ceiling lamp with brass frame in antique bronze finish or champagne finish.  
Decorative glass in three different bronzed or smoked finishes.

*Lampadario a soffitto in ottone finitura bronzo antico o champagne.  
Vetri decorativi lavorati in tre tonalità di bronzo o tre tonalità di fumè.*

**Ceiling Rose/Rosone**

W: 19 x D: 19 cm - W: 7 1/2" x D: 7 1/2"

**Weight/Peso**

12 Kg - 26,4 lbs

**Bulb information/Attacco**

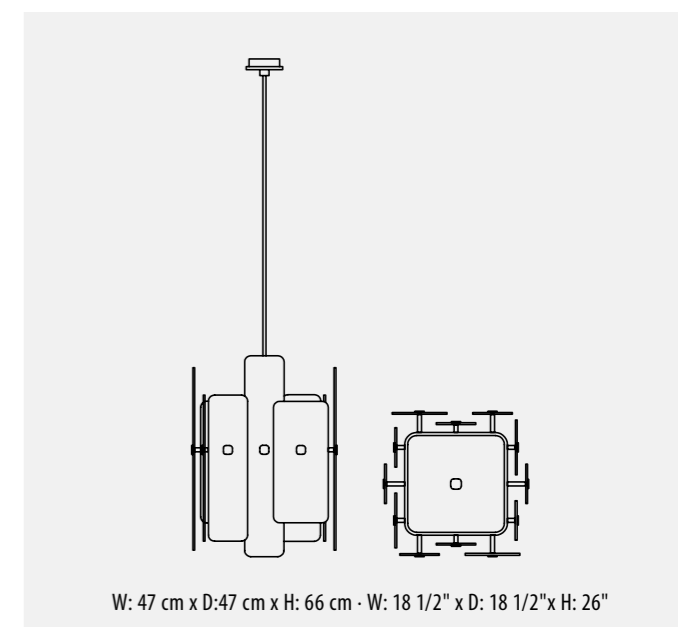
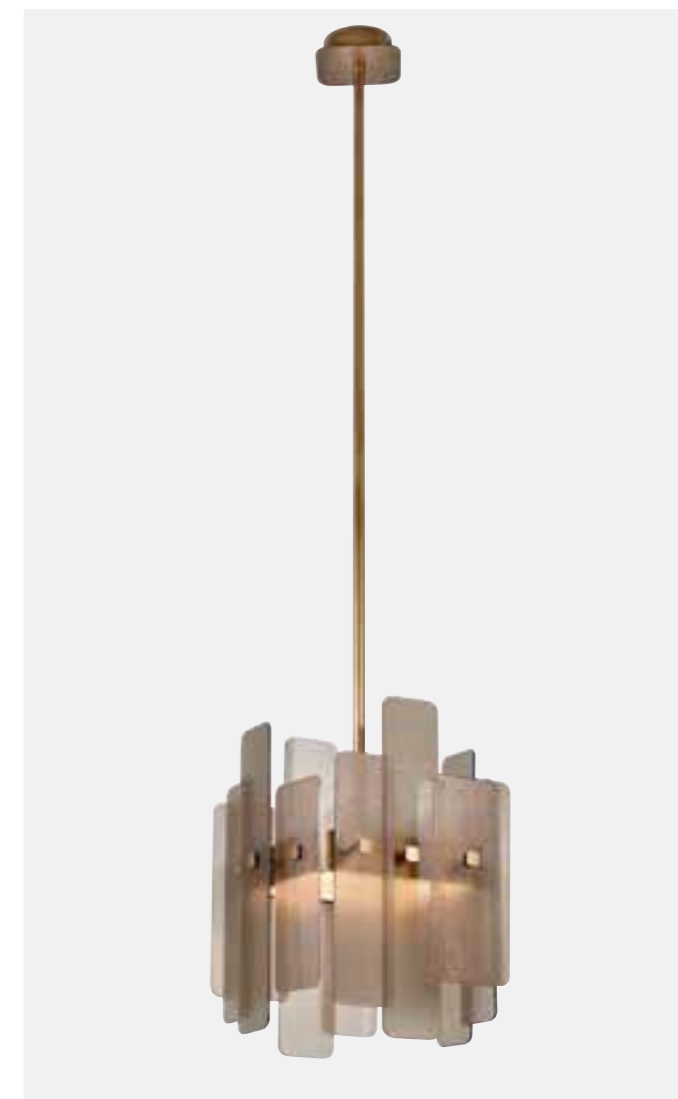
44 Watt STRIP LED - 5600 LUMEN - 2700 K

**Voltage/Tensione**

220 V - Different voltage on request

**Certification/Certificazione**

CE



# Oscar Chandelier

**Designer**

Massimiliano Raggi

**Description/Descrizione**

Ceiling lamp with brass frame in antique bronze finish or champagne finish. Decorative glass in three different bronzed or smoked finishes.

*Lampadario a soffitto in ottone finitura bronzo antico o champagne. Vetri decorativi lavorati in tre tonalità di bronzo o tre tonalità di fumè.*

**Ceiling Rose/Rosone**

W: 183 x D: 8 cm - W: 72" x D: 3 1/8"

**Weight/Peso**

30 Kg - 66,1 lbs

**Bulb information/Attacco**

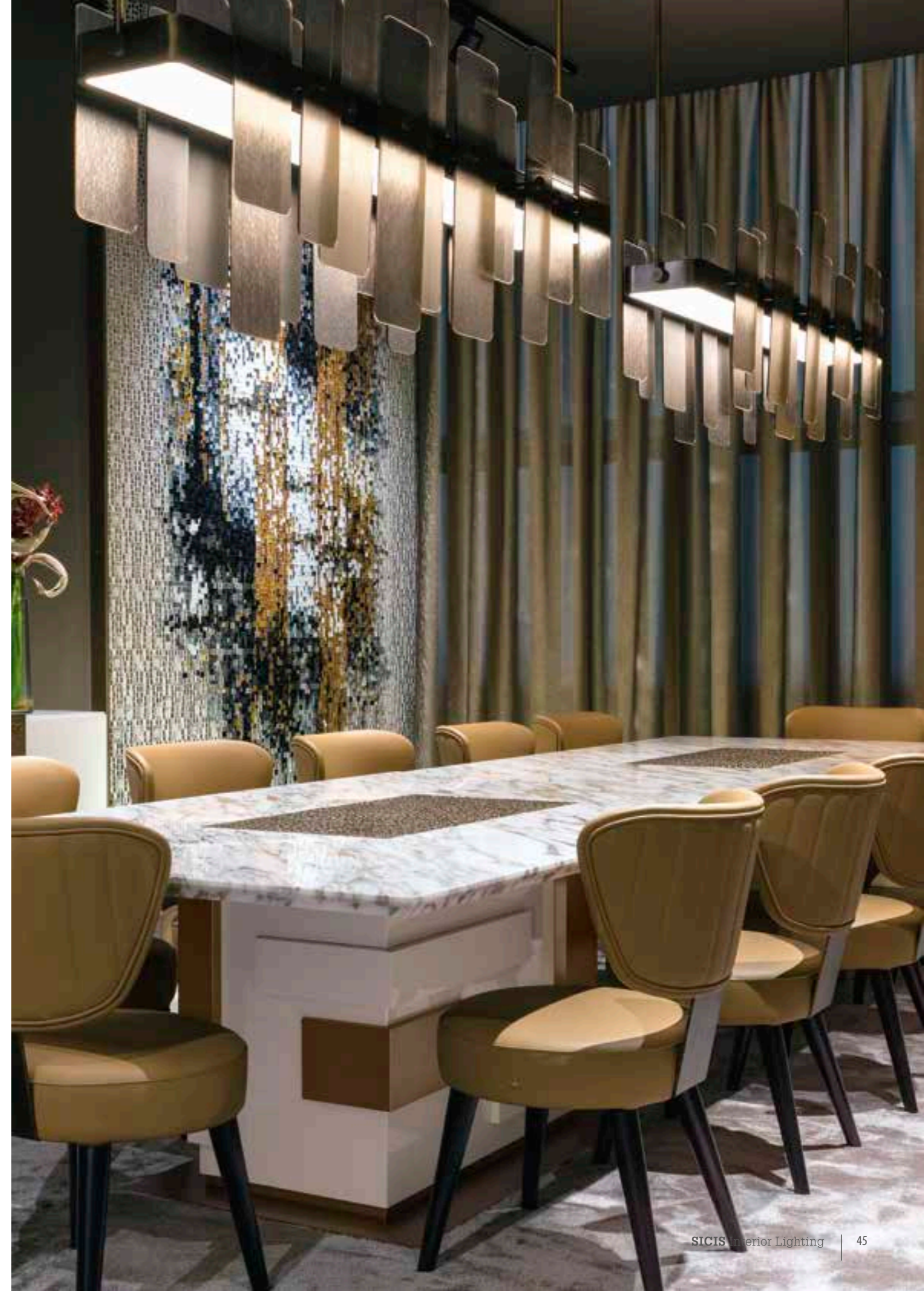
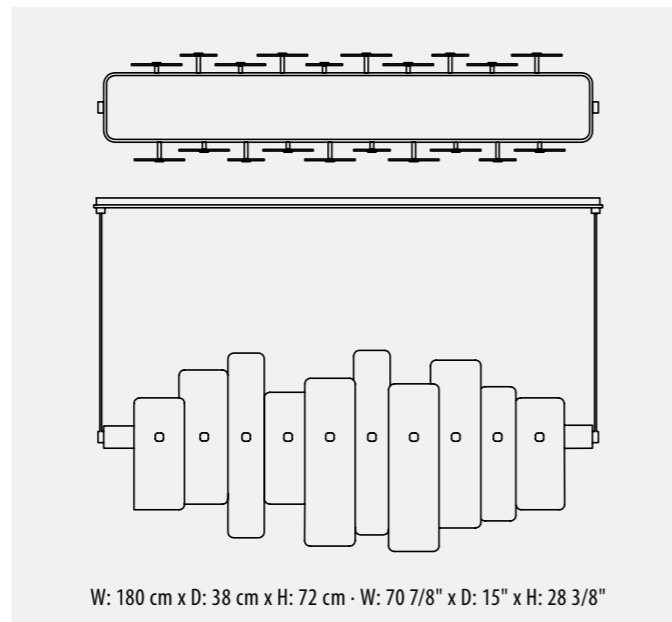
134 Watt STRIP LED - 17000 LUMEN - 2700 K

**Voltage/Tensione**

220 V - Different voltage on request

**Certification/Certificazione**

CE





# Oscar Floor Lamp

**Designer**

Massimiliano Raggi

**Description/Descrizione**

Floor lamp with brass frame in antique bronze finish or champagne finish. Decorative glass in three different bronzed or smoked finishes.

*Lampada da terra in ottone finitura bronzo antico o champagne. Vetri decorativi lavorati in tre tonalità di bronzo o tre tonalità di fumè.*

**Weight/Peso**

20 Kg - 44,1 lbs

**Bulb information/Attacco**

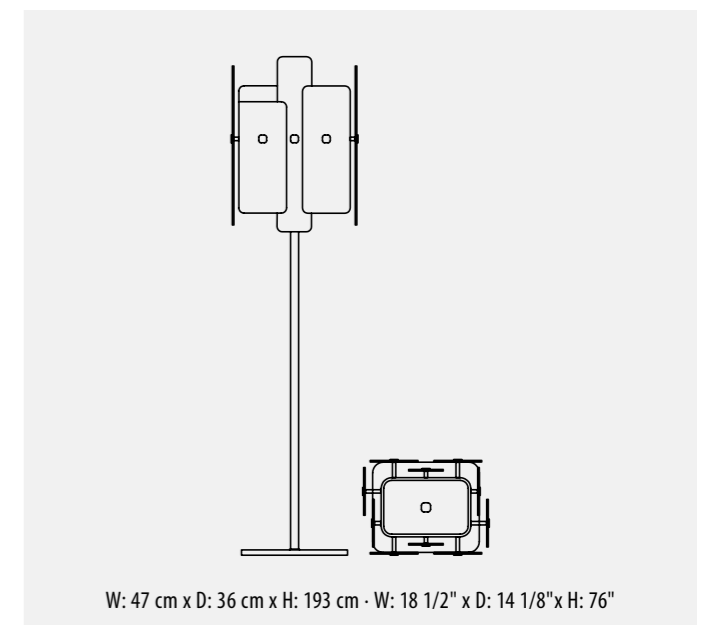
35 Watt STRIP LED - 4500 LUMEN - 2700 K

**Voltage/Tensione**

220 V - Different voltage on request

**Certification/Certificazione**

CE



# Oscar Table Lamp

**Designer**

Massimiliano Raggi

**Description/Descrizione**

Table lamp with brass frame in antique bronze finish or champagne finish. Decorative glass in three different bronzed or smoked finishes.

*Lampada da tavolo in ottone finitura bronzo antico o champagne. Vetri decorativi lavorati in tre tonalità di bronzo o tre tonalità di fumè.*

**Weight/Peso**

8 Kg - 17,6 lbs

**Bulb information/Attacco**

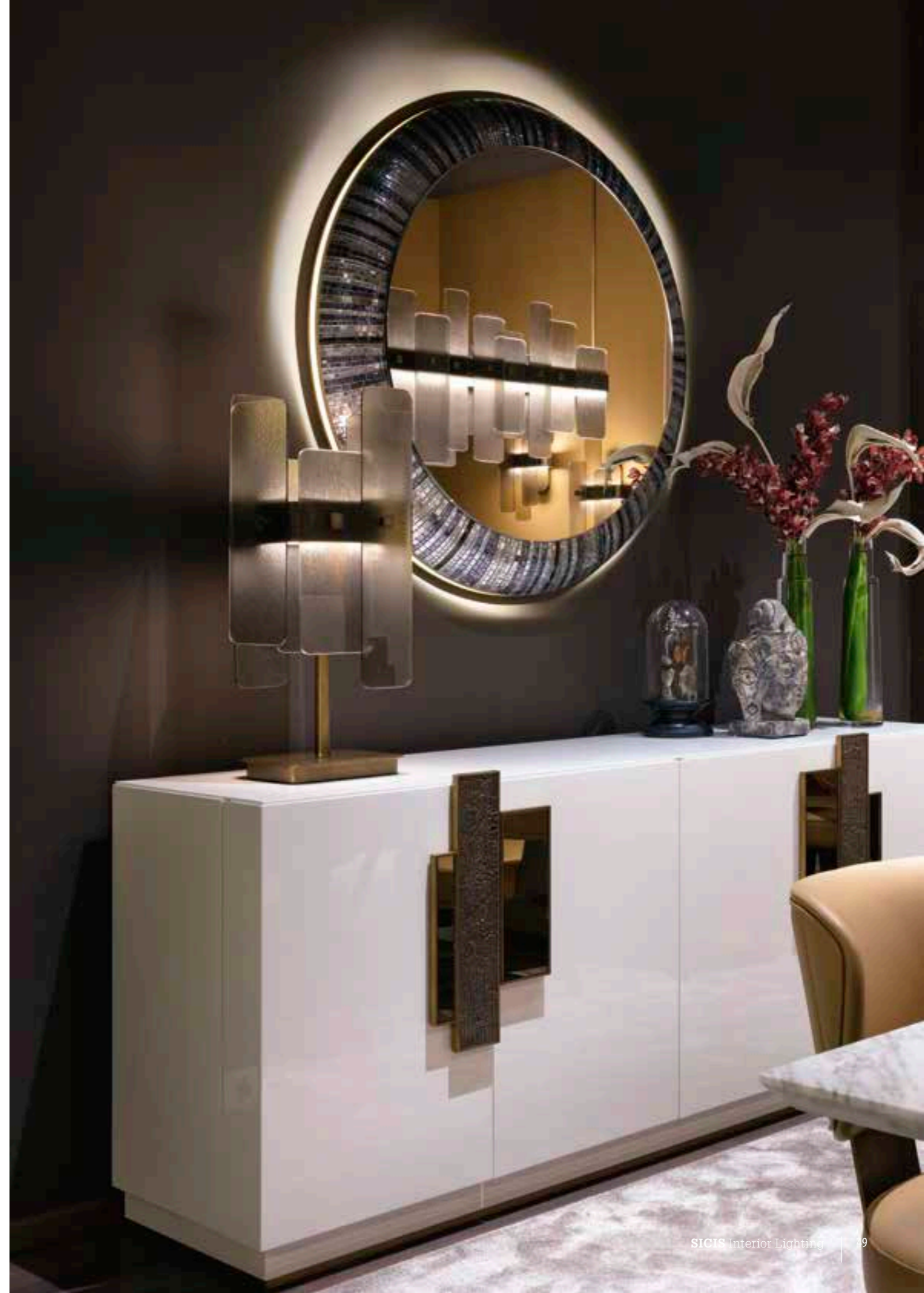
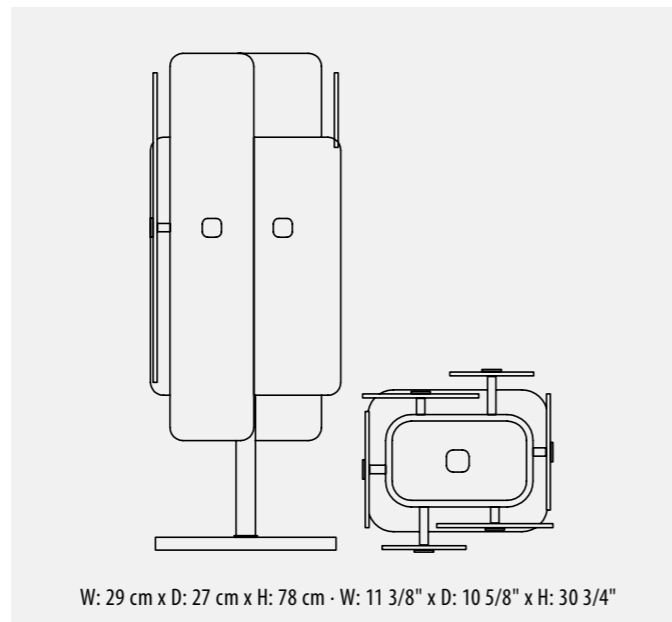
22 Watt STRIP LED - 2860 LUMEN - 2700 K

**Voltage/Tensione**

220 V - Different voltage on request

**Certification/Certificazione**

CE



# Oscar Wall Sconce

**Designer**

Massimiliano Raggi

**Description/Descrizione**

Wall lamp with brass frame in antique bronze finish or champagne finish. Decorative glass in three different bronzed or smoked finishes.

*Lampada a parete in ottone finitura bronzo antico o champagne . Vetri decorativi lavorati in tre tonalità di bronzo o tre tonalità di fumè.*

**Weight/Peso**

8 Kg · 17,6 lbs

**Bulb information/Attacco**

22 Watt STRIP LED · 2860 LUMEN · 2700 K

**Fixing frame/Ingombro fissaggio**

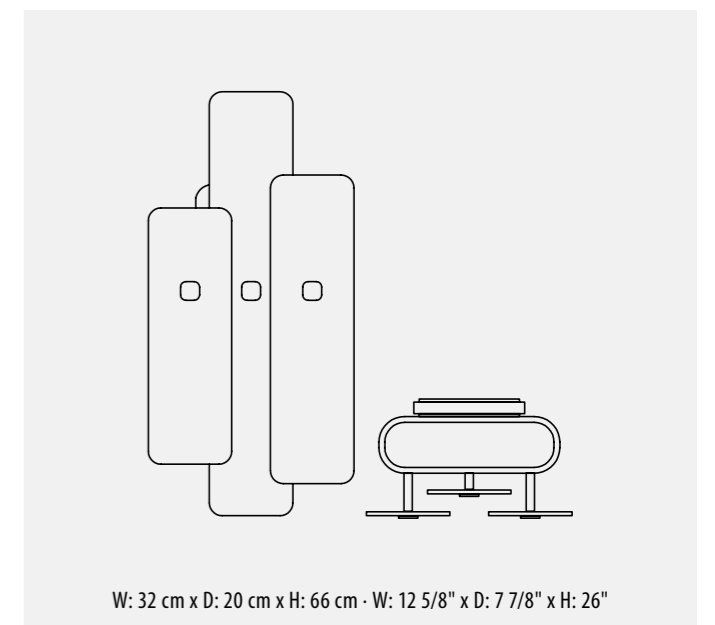
W: 6 cm x H: 21 cm · W: 2 1/4" x H: 8 1/4"

**Voltage/Tensione**

220 V · Different voltage on request

**Certification/Certificazione**

CE



# Dan Ceiling Lamp

**Designer**

Massimiliano Raggi

**Description/Descrizione**

Ceiling lamp shade in Tessere™ fabric and metal band in burnished brass.

*Lampada a soffitto con paralume in tessuto e fascia in metallo in ottone brunito.*

**Ceiling Rose/Rosone**

Ø: 15 cm - Ø: 5 7/8"

**Lampshade/Paralumi**

Ø: 120 cm x H: 72cm - Ø: 47 1/4" x H: 28 3/8"

**Weight/Peso**

20 Kg - 44,1 lbs

**Bulb information/Attacco**

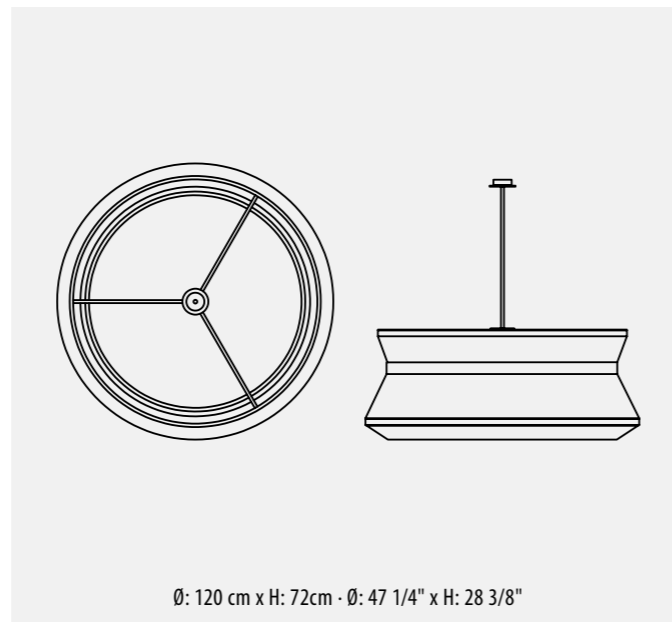
N.4 - 60 Watt E 27 - 220 V

**Voltage/Tensione**

220 V - Different voltage on request

**Certification/Certificazione**

CE



# Venus Ceiling Lamp

**Designer**

Massimiliano Raggi

**Description/Descrizione**

Ceiling lamp with brass frame in champagne finish or brushed nichel finish. Decorative inserts in backlit Vetrite.

*Lampada a soffitto con struttura in ottone finitura champagne o nichel spazzolato. Elementi decorativi composti da 2 inserti in Vetrite retroilluminata.*

**Ceiling Rose/Rosone**

Ø: 32 cm - Ø: 12 5/8"

**Weight/Peso**

10 Kg - 22 lbs

**Big size:** 12 Kg - 26,4 lbs

**Bulb information/Attacco**

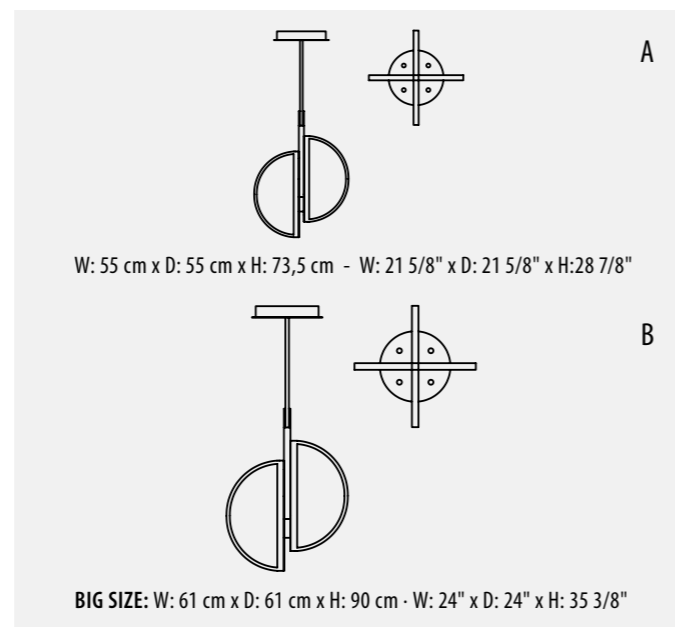
80 Watt STRIP LED - 7845 LUMEN - 2700 K  
+ N° 4x3W COB LED 12 Watt - 1388 LUMEN - 2700 K

**Voltage/Tensione**

220 V - Different voltage on request

**Certification/Certificazione**

CE







## Venus Floor Lamp

**Designer**

Massimiliano Raggi

**Description/Descrizione**

Floor lamp with brass frame in champagne finish or brushed nickel finish. Decorative inserts in backlit Vetrite.

*Lampada da terra con struttura in ottone finitura champagne o nichel spazzolato. Elementi decorativi composti da 2 inserti in Vetrite retroilluminata.*

**Weight/Peso**

12 Kg - 26,4 lbs

**Bulb information/Attacco**

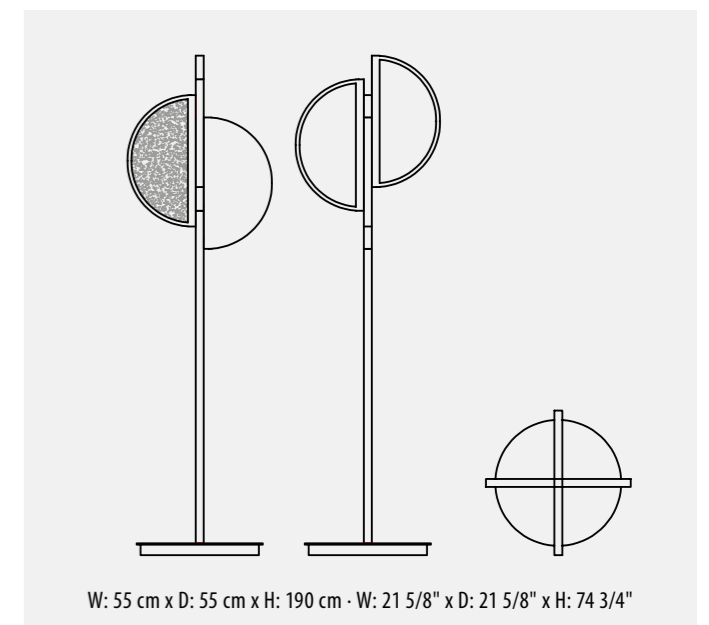
80 Watt STRIP LED - 7845 LUMEN - 2700 K

**Voltage/Tensione**

220 V - Different voltage on request

**Certification/Certificazione**

CE



# Venus Table Lamp

**Designer**

Massimiliano Raggi

**Description/Descrizione**

Table lamp with brass frame in champagne finish or brushed nickel finish. Decorative inserts in backlit Vetrite.

*Lampada da tavolo con struttura in ottone finitura champagne o nichel spazzolato. Elementi decorativi composti da 2 inserti in Vetrite retroilluminata.*

**Weight/Peso**

8 Kg · 17,6 lbs

**Bulb information/Attacco**

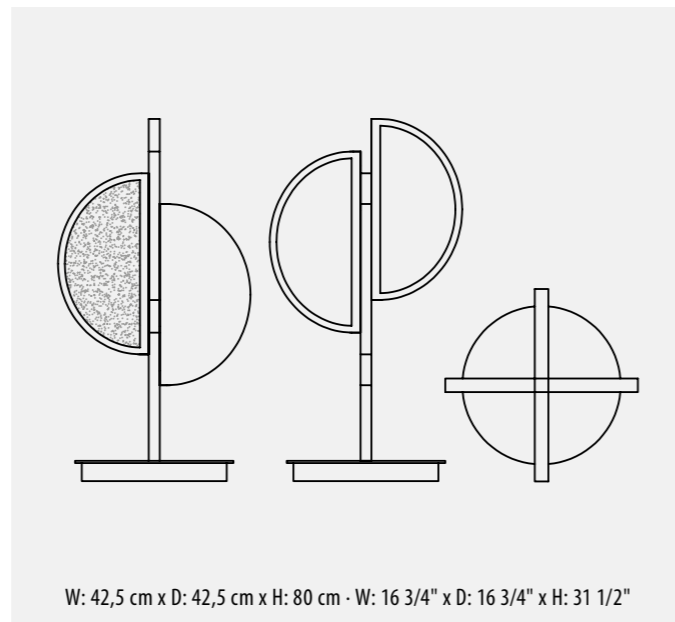
60 Watt STRIP LED · 6200 LUMEN · 2700 K

**Voltage/Tensione**

220 V · Different voltage on request

**Certification/Certificazione**

CE









## Venus Wall Sconce

**Designer**

Massimiliano Raggi

**Description/Descrizione**

Wall sconce with brass frame in champagne finish or brushed nickel finish.  
Decorative inserts in backlit Vetrite.

*Lampada a parete con struttura in ottone finitura champagne o nichel spazzolato.  
Elementi decorativi composti da 2 inserti in Vetrite retroilluminata.*

**Weight/Peso**

6 Kg - 13,2 lbs

**Bulb information/Attacco**

60 Watt STRIP LED - 6200 LUMEN - 2700 K

**Fixing frame/Ingombro fissaggio**

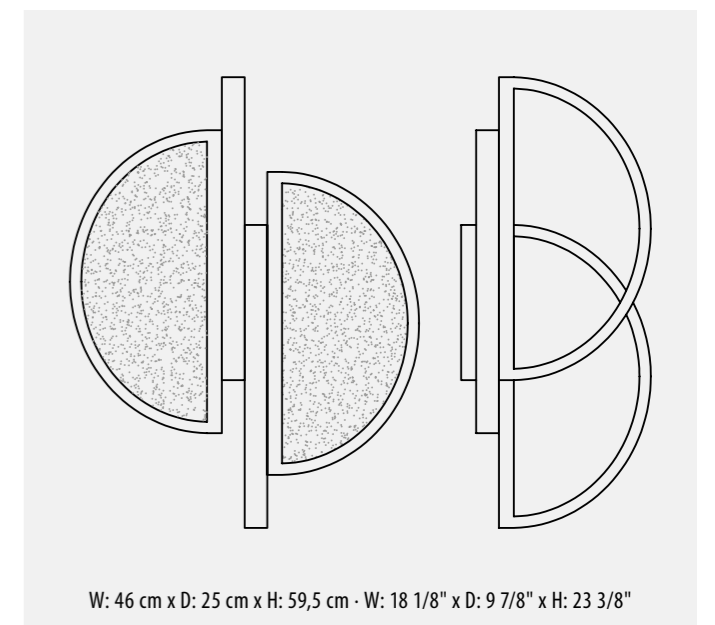
W: 6 cm x H: 21 cm - W: 2 1/4" x H: 8 1/4"

**Voltage/Tensione**

220 V - Different voltage on request

**Certification/Certificazione**

CE



W: 46 cm x D: 25 cm x H: 59,5 cm - W: 18 1/8" x D: 9 7/8" x H: 23 3/8"

# Andromeda Chandelier

**Designer**

Massimiliano Raggi

**Description/Descrizione**

Brass chandelier with champagne finish.  
Decorative glass in three different bronzed or smoked finishes.

*Lampadario a soffitto in ottone finitura champagne.  
Dischi decorativi in vetro lavorato in tre tonalità di bronzo o tre tonalità di fumè.*

**Ceiling Rose/Rosone**

no.2 Ø: 19 cm · Ø: 7 1/2"

**Weight/Peso**

40 Kg · 88,2 lbs

**Bulb information/Attacco**

8 X 3 Watt LED + 4 X 1 WATT LED, 3000°K · 3600 LUMEN

**Voltage/Tensione**

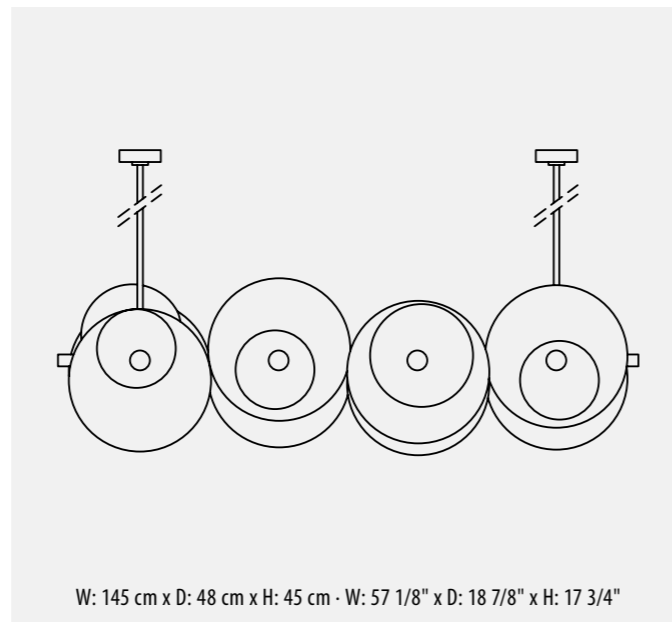
220 V · Different voltage on request

**Certification/Certificazione**

CE



Bronzed finish glass



W: 145 cm x D: 48 cm x H: 45 cm - W: 57 1/8\"/>



## Andromeda Ceiling Lamp

### Designer

Massimiliano Raggi

### Description/Descrizione

Brass ceiling lamp with champagne finish.  
Decorative glass in three different bronzed or smoked finishes.

*Lampadario a soffitto in ottone finitura champagne.  
Dischi decorativi in vetro lavorato in tre tonalità di bronzo o tre tonalità di fumè.*

### Ceiling Rose/Rosone

no.1 Ø: 14 cm · 5 1/2"

### Weight/Peso

20 Kg · 44.1 lbs

### Bulb information/Attacco

6 X 3 Watt LED + 1 X 1 WATT LED, 3000°K

### Voltage/Tensione

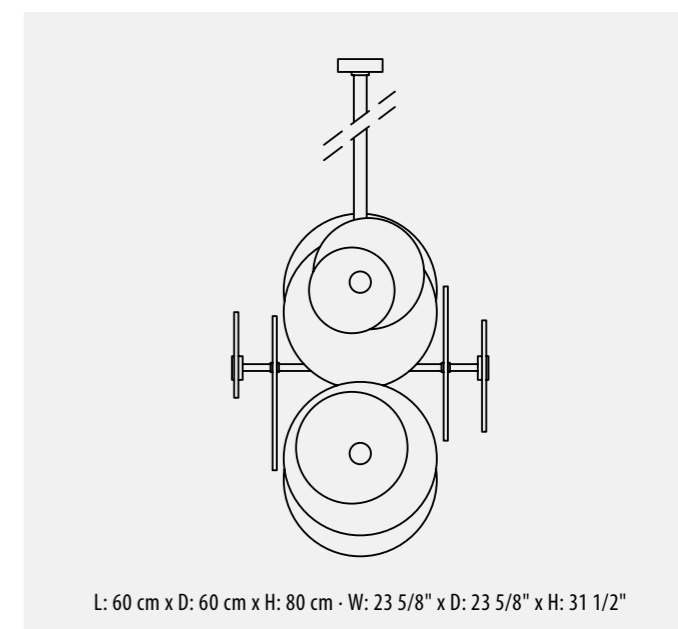
220 V · Different voltage on request · 2500 LUMEN

### Certification/Certificazione

CE



Fumé finish glass



L: 60 cm x D: 60 cm x H: 80 cm · W: 23 5/8" x D: 23 5/8" x H: 31 1/2"





# Andromeda Wall Sconce

**Designer**

Massimiliano Raggi

**Description/Descrizione**

Brass wall lamp with champagne finish.  
Decorative glass in three different bronzed or smoked finishes.

*Lampada a parete in ottone finitura champagne.  
Dischi decorativi in vetro lavorato in tre tonalità di bronzo o tre tonalità di fumè.*

**Weight/Peso**

7 Kg - 15.4 lbs

**Voltage/Tensione**

220 V - Different voltage on request

**Bulb information/Attacco**

1 X 3 Watt LED, 3000°K - 400 LUMEN

**Certification/Certificazione**

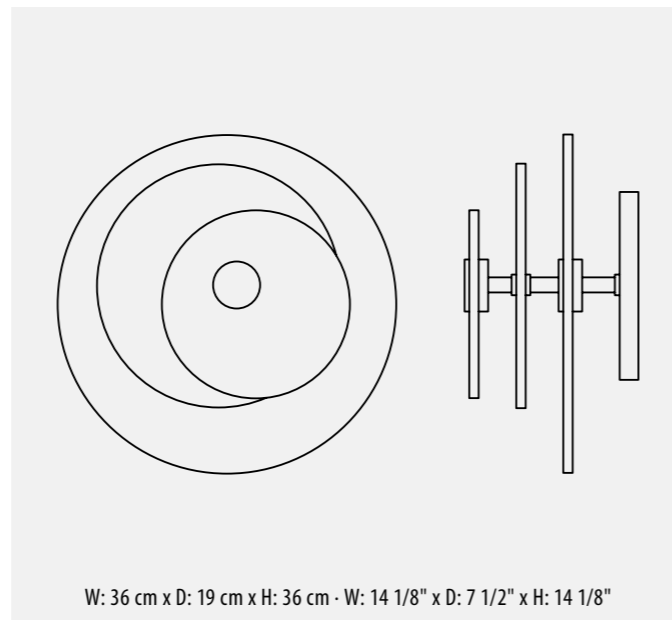
CE



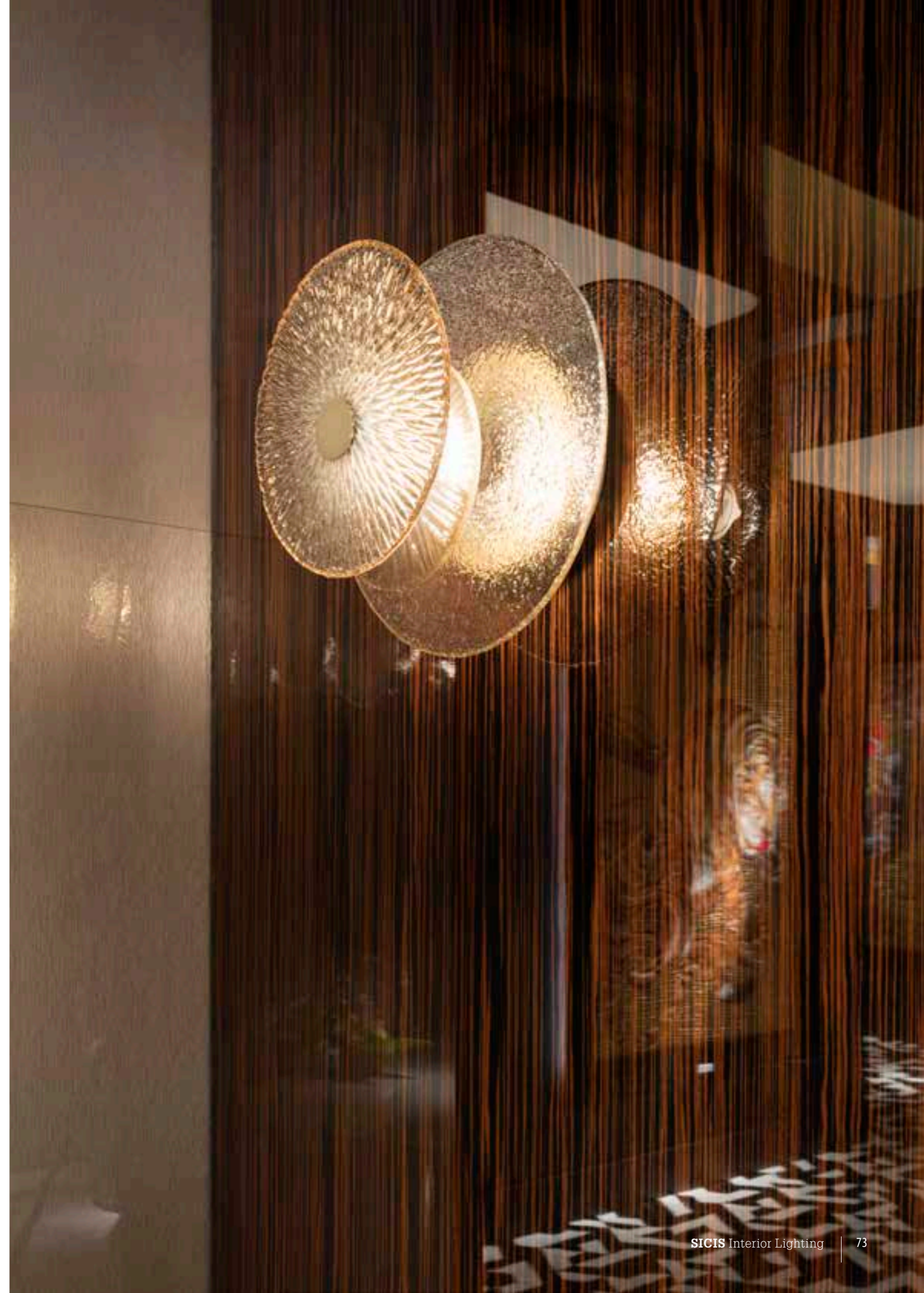
Fumé finish glass



Bronzed finish glass



W: 36 cm x D: 19 cm x H: 36 cm - W: 14 1/8" x D: 7 1/2" x H: 14 1/8"



# Ballet Ceiling Lamp/bronzed

**Designer**

Massimiliano Raggi

**Description/Descrizione**

Ceiling lamp realized with pyrex glass elements in amber and bronzed, chromed and smoked finish with metal decorative elements in bronzed or chromed finish and mosaic decoration.

*Sospensioni realizzate con pyrex nelle finiture ambra e bronzo, cromo e fumè alternati a elementi decorativi in metallo bronzato o cromato e inserti in mosaico.*

**Ceiling Rose/Rosone**

Ø: 14 cm · Ø: 5 1/2"

**Rod Length/Lunghezza Cavo**

250 cm variabile / 98 3/8" variable

**Weight/Peso**

3 kg · 6,6 lbs

**Bulb information/Attacco**

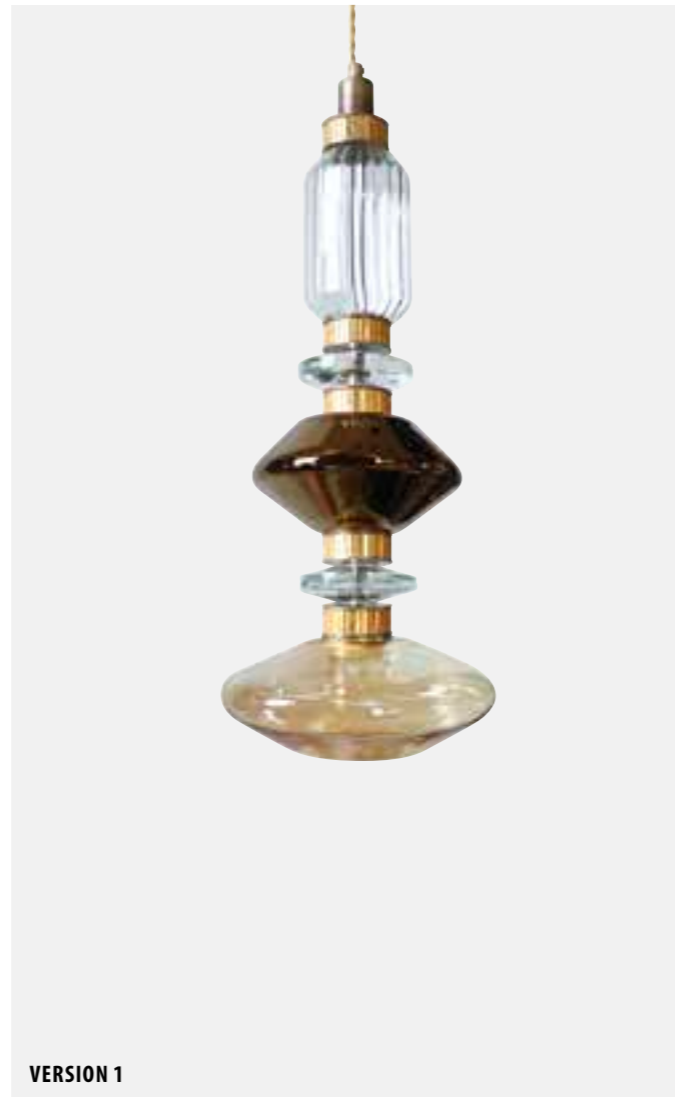
VERSION 1: 2 · 3 Watt LED 3000 K - 800 LUMEN  
 VERSION 2: 2 · 3 Watt LED 3000 K - 800 LUMEN  
 VERSION 3: 1 · 3 Watt LED 3000 K - 400 LUMEN  
 VERSION 4: 2 · 3 Watt LED 3000 K - 400 LUMEN  
 VERSION 5: 2 · 3 Watt LED 3000 K - 800 LUMEN

**Voltage/Tensione**

220 V · Different voltage on request

**Certification/Certificazione**

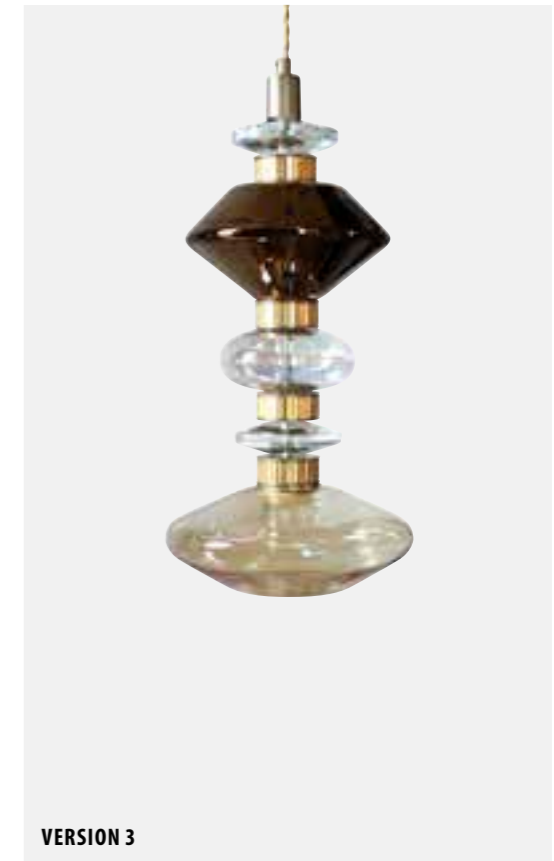
CE  
 UL



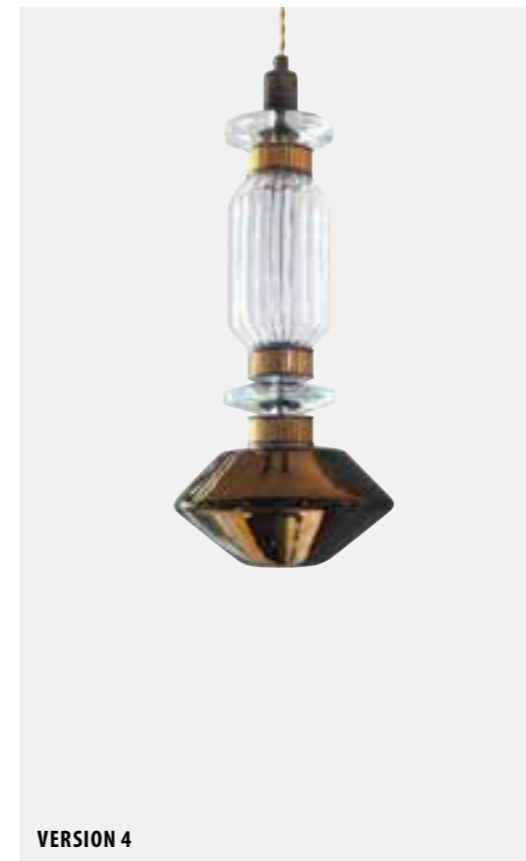
VERSION 1



VERSION 2



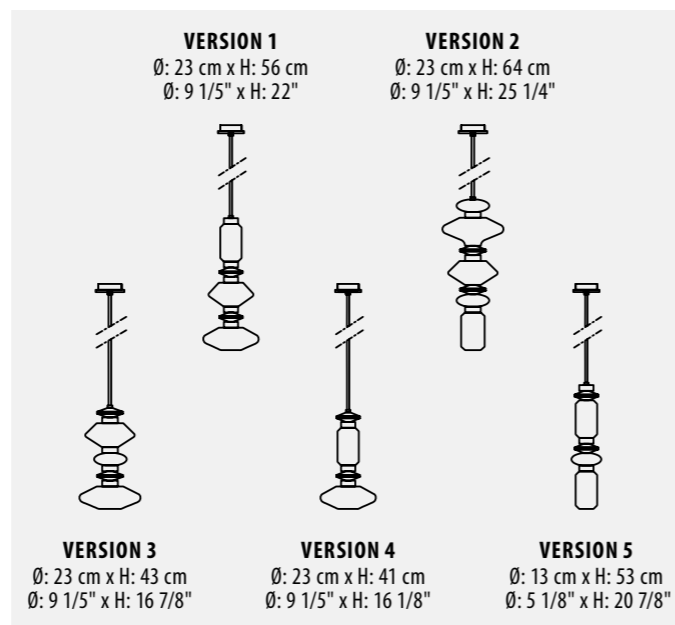
VERSION 3



VERSION 4



VERSION 5











# Ballet Ceiling Lamp/chromed

**Designer**

Massimiliano Raggi

**Description/Descrizione**

Ceiling lamp realized with pyrex glass elements in amber and bronzed, chromed and smoked finish with metal decorative elements in bronzed or chromed finish and mosaic decoration.

*Sospensioni realizzate con pyrex nelle finiture ambra e bronzo, cromo e fumè alternati a elementi decorativi in metallo bronzato o cromato e inserti in mosaico.*

**Ceiling Rose/Rosone**

Ø: 14 cm · Ø: 5 1/2"

**Rod Length/Lunghezza Cavo**

250 cm variabile / 98 3/8" variabile

**Weight/Peso**

3 kg · 6,6 lbs

**Bulb information/Attacco**

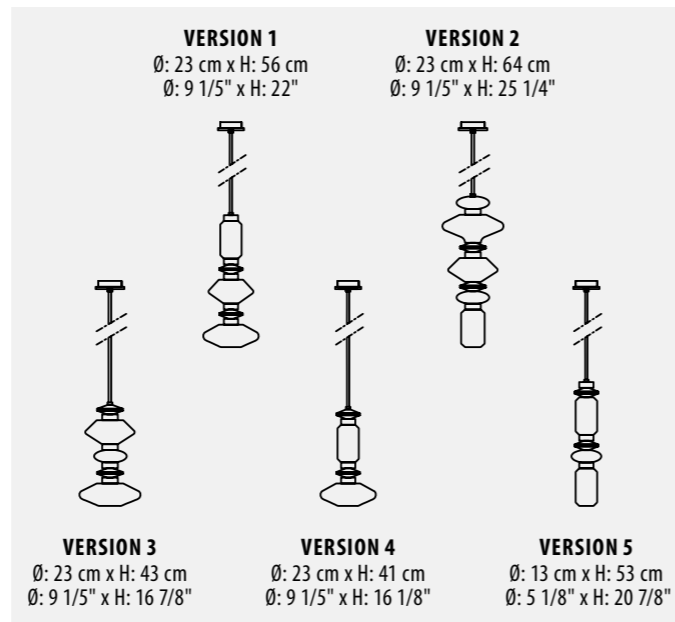
VERSION 1: 2 · 3 Watt LED 3000 K - 800 LUMEN  
 VERSION 2: 2 · 3 Watt LED 3000 K - 800 LUMEN  
 VERSION 3: 1 · 3 Watt LED 3000 K - 400 LUMEN  
 VERSION 4: 2 · 3 Watt LED 3000 K - 400 LUMEN  
 VERSION 5: 2 · 3 Watt LED 3000 K - 800 LUMEN

**Voltage/Tensione**

220 V · Different voltage on request

**Certification/Certificazione**

CE  
 UL





# Ballet Wall Sconce/bronzed

**Designer**

Massimiliano Raggi

**Description/Descrizione**

Applique realized with pyrex glass elements in amber or smoked finish alternated with metal decorative elements in bronzed or chrome finish and mosaic decoration. Fixing box made in bronzed or chromed finish and bronzed or smoked mirror.

*Lampada a parete realizzata con pyrex in finitura ambra o fumè alternati a elementi decorativi in metallo bronzato o cromato e inserti in mosaico. Staffa di fissaggio in metallo bronzato o cromato e specchio bronzato o fumè.*

**Dimensions/Dimensioni**

W: 24 cm x D: 27 cm x H: 68 cm · W: 9 1/2" x D: 10 3/4" x H: 26 3/4"

**Weight/Peso**

4 Kg · 8.8 lbs

**Bulb information/Attacco**

no.2 · 3 Watt LED 3000K incl. · 800 LUMEN

**Fixing frame/Ingombro fissaggio**

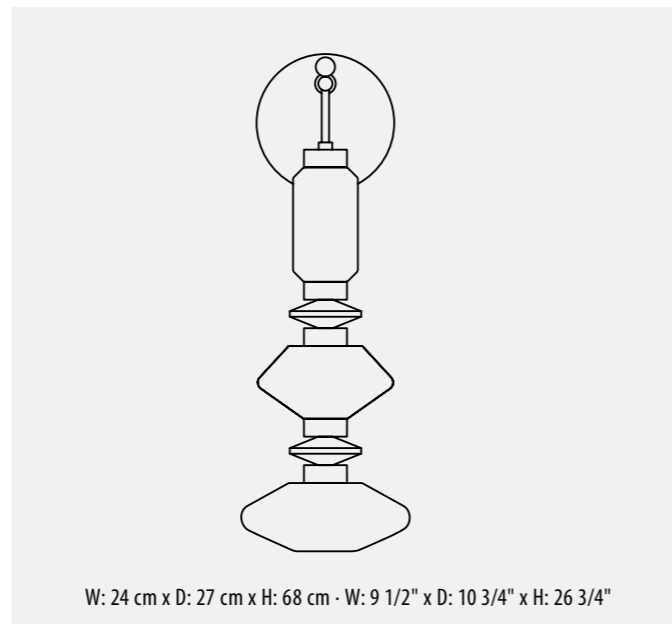
Ø: 19 cm · Ø: 7 1/2"

**Voltage/Tensione**

220 V · Different voltage on request

**Certification/Certificazione**

CE  
UL



W: 24 cm x D: 27 cm x H: 68 cm · W: 9 1/2" x D: 10 3/4" x H: 26 3/4"



# Ballet Wall Sconce/chromed

**Designer**

Massimiliano Raggi

**Description/Descrizione**

Applique realized with pyrex glass elements in amber or smoked finish alternated with metal decorative elements in bronzed or chrome finish and mosaic decoration. Fixing box made in bronzed or chromed finish and bronzed or smoked mirror.

*Lampada a parete realizzata con pyrex in finitura ambra o fumè alternati a elementi decorativi in metallo bronzato o cromato e inserti in mosaico. Staffa di fissaggio in metallo bronzato o cromato e specchio bronzato o fumè.*

**Dimensions/Dimensioni**

W: 24 cm x D: 27 cm x H: 68 cm · W: 9 1/2" x D: 10 3/4" x H: 26 3/4"

**Weight/Peso**

4 Kg · 8.8 lbs

**Bulb information/Attacco**

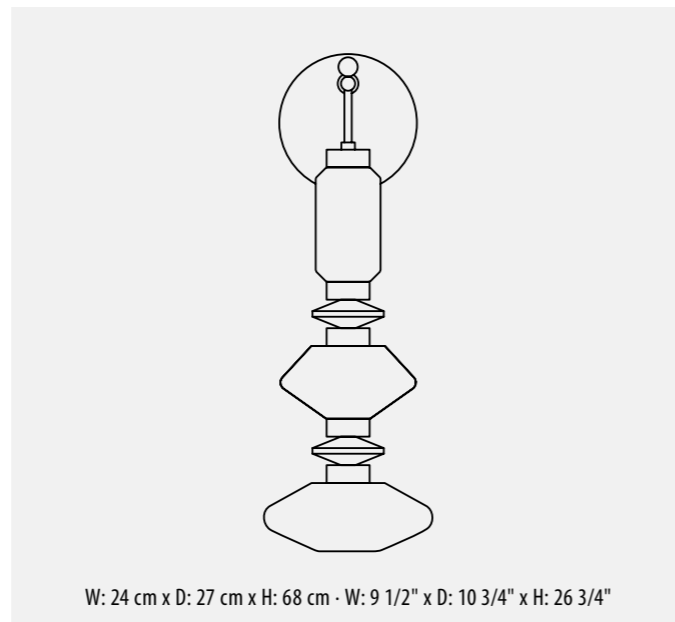
no.2 · 3 Watt LED 3000K incl. · 800 LUMEN

**Voltage/Tensione**

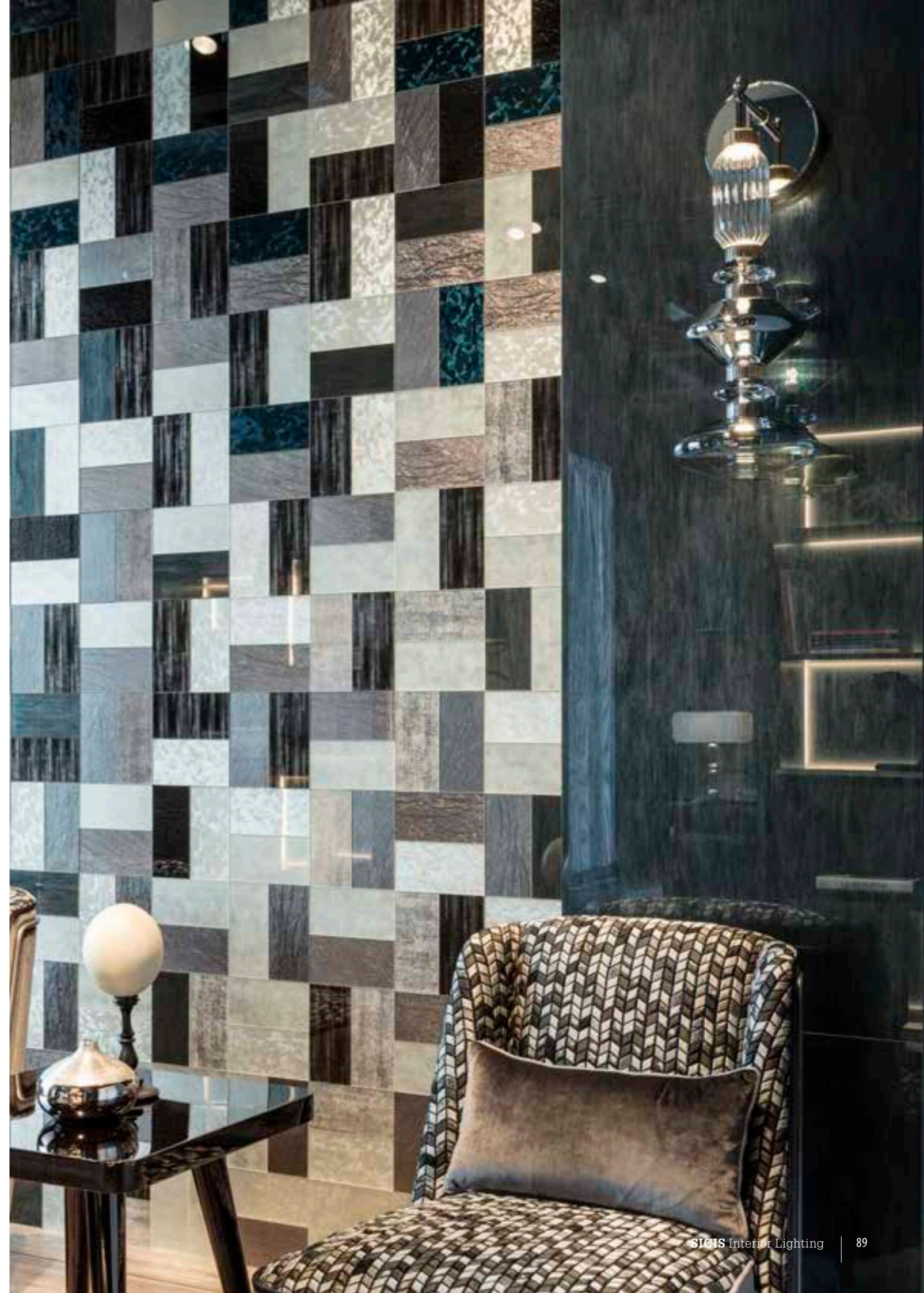
220 V · Different voltage on request

**Certification/Certificazione**

CE  
UL



W: 24 cm x D: 27 cm x H: 68 cm · W: 9 1/2" x D: 10 3/4" x H: 26 3/4"



## Ballet Ceiling Lamp 6/bronzed-chromed

**Designer**

Massimiliano Raggi

**Description/Descrizione**

Applique realized with transparent pyrex glass elements alternated with metal decorative elements in bronzed or chromed finish and mosaic decoration.

*Sospensione realizzata con pyrex trasparente alternato a elementi decorativi in metallo bronzato o cromato e inserti in mosaico.*

**Ceiling Rose/Rosone**

Ø: 14 cm · Ø: 5 1/2"

**Rod Length/Lunghezza Cavo**

250 cm variabile / 98 3/8" variable

**Weight/Peso**

3 Kg · 6,6 lbs

**Bulb information/Attacco**

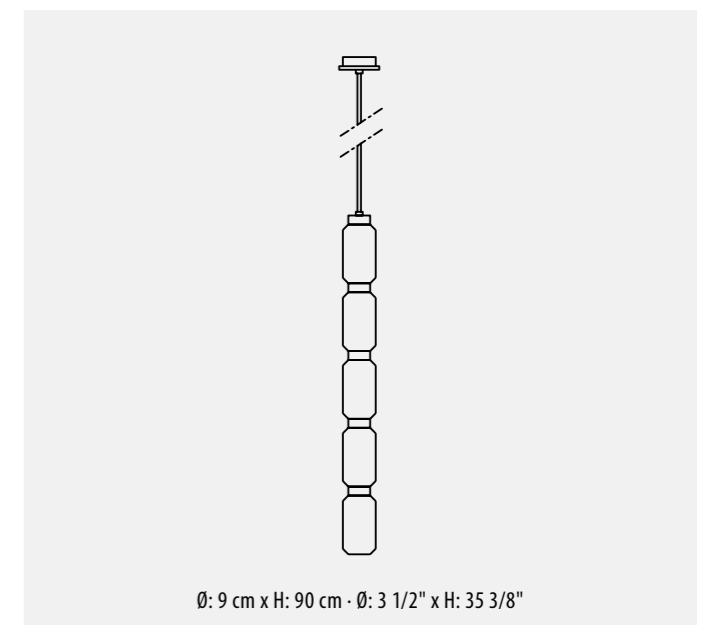
3 x 3 Watt LED · 3000°K · 1200 LUMEN

**Voltage/Tensione**

220 V · Different voltage on request

**Certification/Certificazione**

CE  
UL







# Ballet Chandelier/bronzed-chromed

**Designer**

Massimiliano Raggi

**Description/Descrizione**

Ceiling lamp realized with transparent pyrex glass alternated with metal decorative elements in bronzed or chrome finish and mosaic decoration. Square box for fixing in antique bronze or polished chrome finish.

*Sospensioni realizzate con pyrex trasparente alternato a elementi decorativi in metallo bronzato o cromato e inserti in mosaico. Rosone di fissaggio a soffitto in finitura bronzo antico o cromo lucido.*

**Ceiling Rose/Rosone**

no.1 40 x 40 cm · 15 3/4" x 15 3/4"

**Rod Length/Lunghezza Cavo**

250 cm variabile · 98 3/8" variable

**Weight/Peso**

16 Kg · 35.27 lbs

**Bulb information/Attacco**

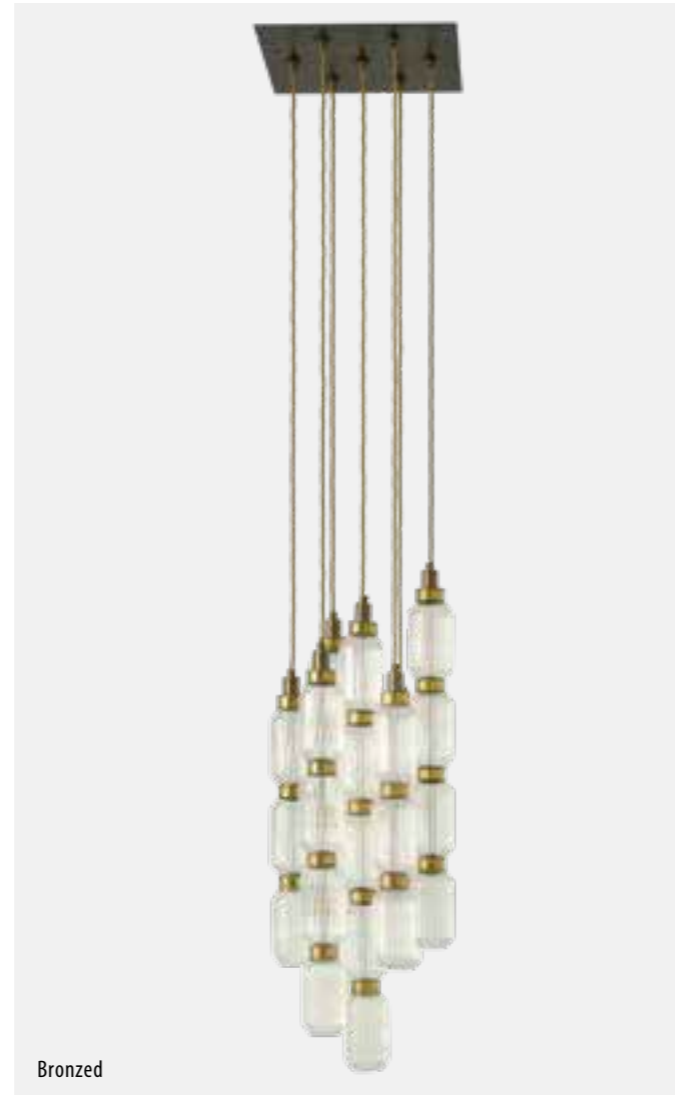
11 x 3 Watt LED · 3000°K · 6000 LUMEN

**Voltage/Tensione**

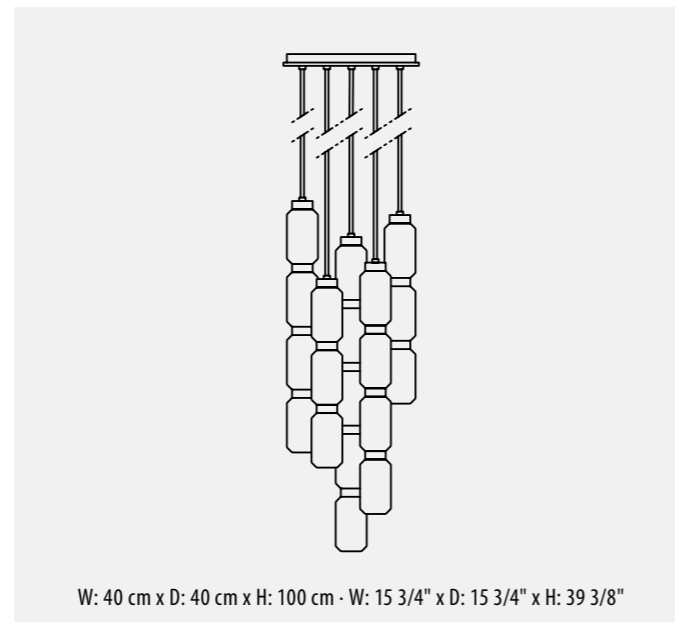
220 V · Different voltage on request

**Certification/Certificazione**

CE  
UL



Bronzed



W: 40 cm x D: 40 cm x H: 100 cm · W: 15 3/4" x D: 15 3/4" x H: 39 3/8"



Chromed



# Ballet Table Lamp/bronzed-chromed

**Designer**

Massimiliano Raggi

**Description/Descrizione**

Table lamp realized with pyrex glass elements in amber or smoked finish alternated with metal decorative elements in bronzed or chrome finish and mosaic decoration. Lampshade in fabric. Polished ebony base.

*Lampada da tavolo realizzata con pyrex in finitura ambra o fumè alternati a elementi decorativi in metallo bronzato o cromato e inserti in mosaico. Paralume in tessuto. Base in ebano lucido.*

**Lampshade/Paralumi**

W: cm 54 x D: 31 x H: 21  
W: 20 7/8" x D: 12 1/4" x H: 8 1/4"

**Weight/Peso**

6 Kg · 13.23 lbs

**Bulb information/Attacco**

1 x E27 Max 60 Watt + 2 x 3 Watt LED, 3000°K · 400 LUMEN LED

**Voltage/Tensione**

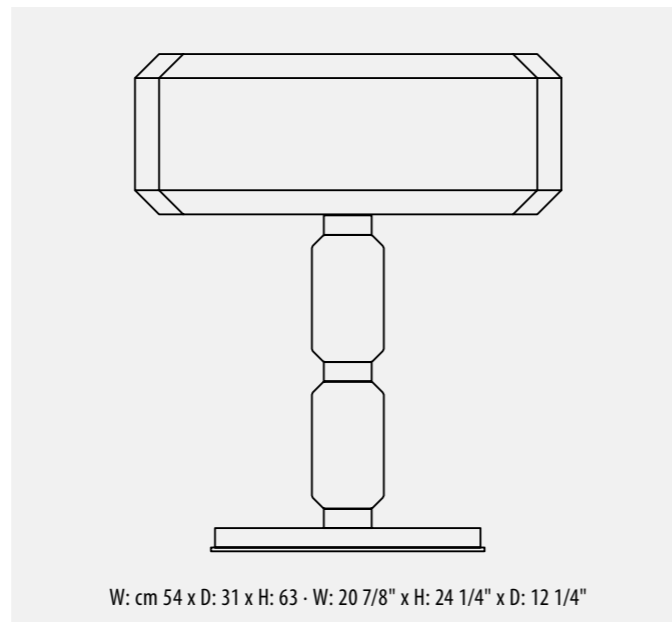
220 V · Different voltage on request

**Certification/Certificazione**

CE  
UL

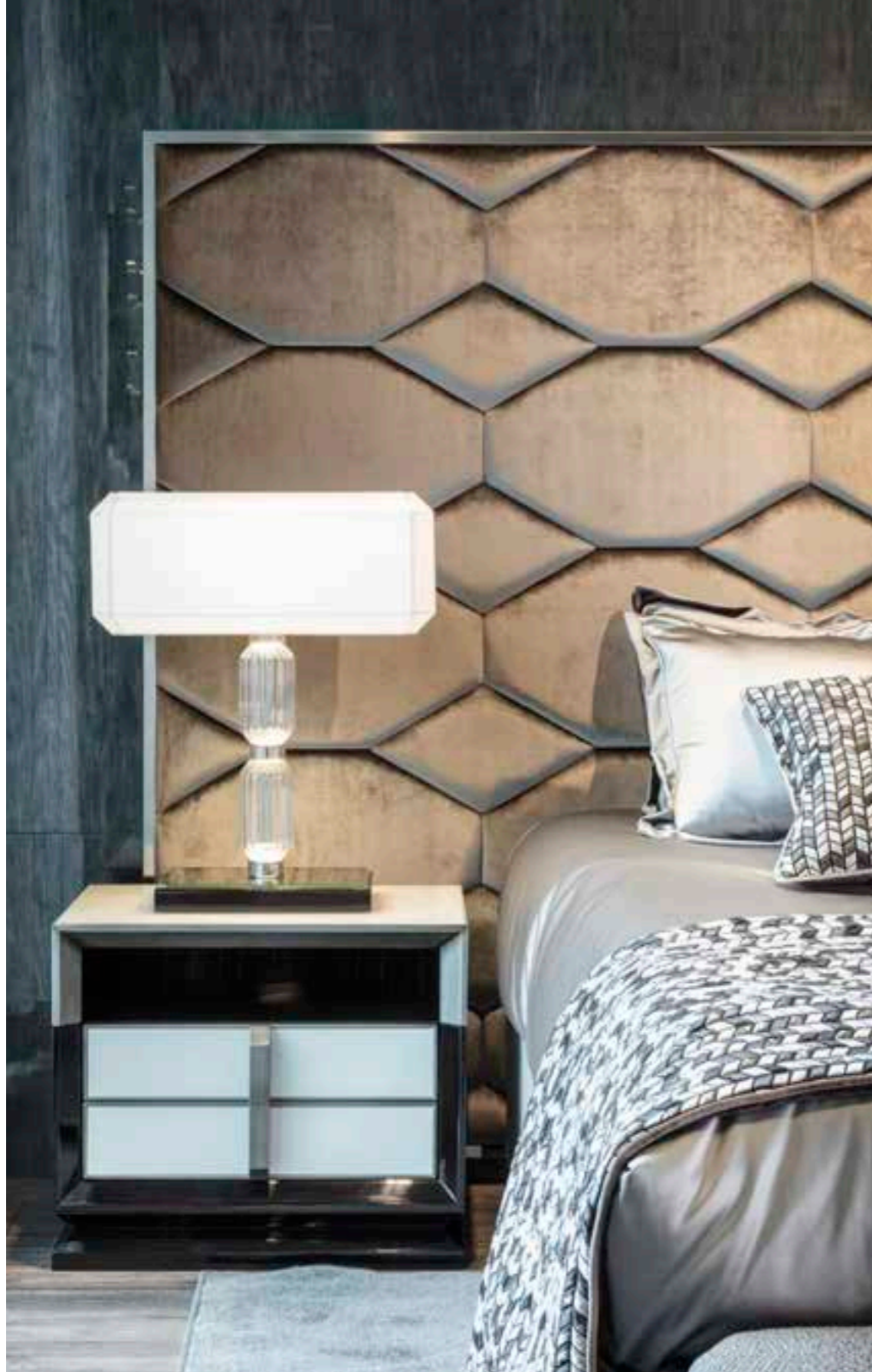


Bronzed



W: cm 54 x D: 31 x H: 63 - W: 20 7/8" x H: 24 1/4" x D: 12 1/4"





# Lescot Floor Lamp/bronzed-chromed

**Designer**

Massimiliano Raggi

**Description/Descrizione**

Floor Lamp with bronzed metal frame, amber glass and bronzed pyrex or with chromed metal frame, smoked glass and chromed pyrex. External lampshade in ivory fabric and binded in bronze or silver colour inside.

*Lampada da terra con struttura metallica bronzata abbinata a vetri ambra e pyrex bronzati oppure con struttura metallica cromata abbinata a vetri fumè e pyrex cromati. Paralume esternamente in tessuto color avorio e internamente fasciato color bronzo o silver.*

**Lampshade/Paralumi**

Ø: 48 cm x H: 50 cm · Ø: 18 7/8" x H: 19 5/8"

**Weight/Peso**

12 kg · 26,4 lbs

**Bulb information/Attacco**

no.1 · Max 60 Watt E27 incl.

**Voltage/Tensione**

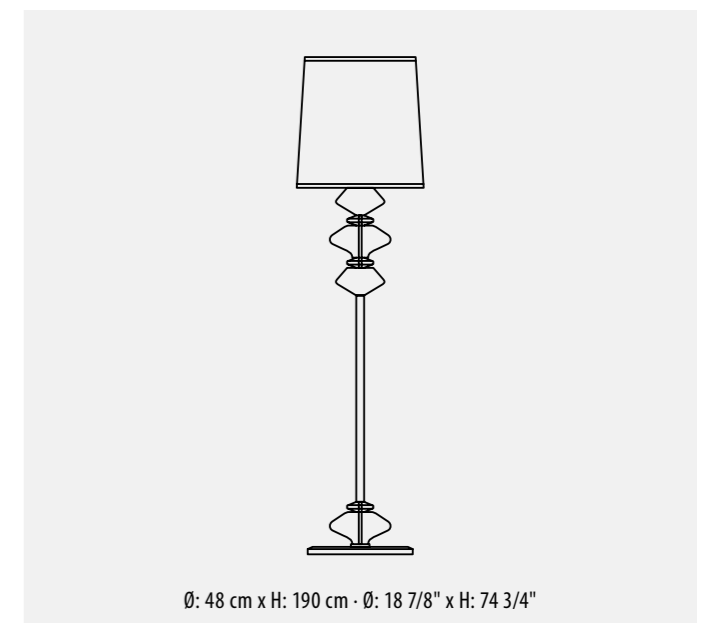
220 V · Different voltage on request

**Certification/Certificazione**

CE



Bronzed



Ø: 48 cm x H: 190 cm · Ø: 18 7/8" x H: 74 3/4"



# Lescot Table Lamp 1/bronzed-chromed

**Designer**

Massimiliano Raggi

**Description/Descrizione**

Table lamp with bronzed metal frame, amber glass and bronzed pyrex or with chromed metal frame, smoked glass and chromed pyrex. External lampshade in ivory fabric and binded in bronze or silver colour inside.

*Lampada da tavolo con struttura metallica bronzata abbinata a vetri ambra e pyrex bronzati oppure con struttura metallica cromata abbinata a vetri fumè e pyrex cromati. Paralume esternamente in tessuto color avorio e internamente fasciato color bronzo o silver.*

**Lampshade/Paralumi**

Ø: 38 cm x H: 40 cm · Ø: 15" x H: 15 3/4"

**Weight/Peso**

5 kg · 11.02 lbs

**Bulb information/Attacco**

no.1 · Max 60 Watt E27 incl.

**Voltage/Tensione**

220 V · Different voltage on request

**Certification/Certificazione**

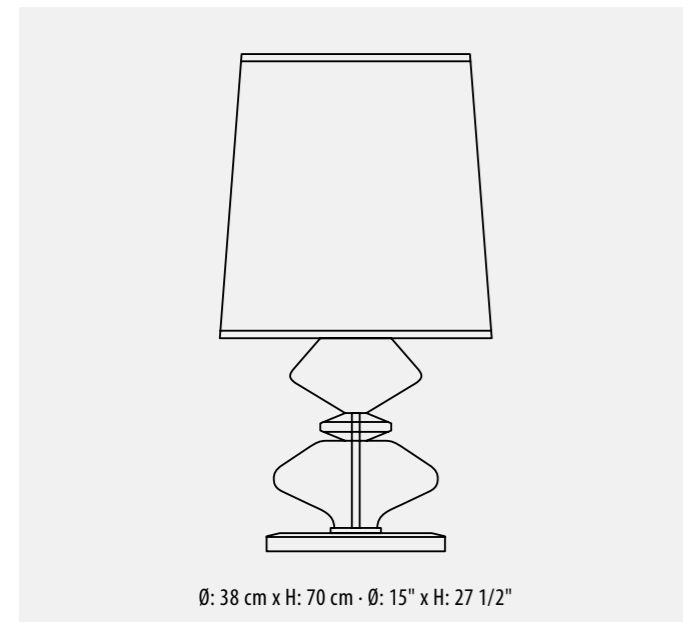
CE



Bronzed



Chromed



Ø: 38 cm x H: 70 cm · Ø: 15" x H: 27 1/2"



# Lescot Table Lamp 2/bronzed-chromed

**Designer**

Massimiliano Raggi

**Description/Descrizione**

Table lamp with bronzed metal frame, amber glass and bronzed pyrex or with chromed metal frame, smoked glass and chromed pyrex. External lampshade in ivory fabric and binded in bronze or silver colour inside.

*Lampada da tavolo con struttura metallica bronzata abbinata a vetri ambra e pyrex bronzati oppure con struttura metallica cromata abbinata a vetri fumè e pyrex cromati. Paralume esternamente in tessuto color avorio e internamente fasciato color bronzo o silver.*

**Lampshade/Paralumi**

Ø: 30 cm x H: 45 cm · Ø: 11 3/4" x H: 17 3/4"

**Weight/Peso**

5 kg · 11.02 lbs

**Bulb information/Attacco**

no.1 · Max 60 Watt E27 incl.

**Voltage/Tensione**

220 V · Different voltage on request

**Certification/Certificazione**

CE



Bronzed



Ø: 30 cm x H: 72 cm · Ø: 11 3/4" x H: 28 3/8"



Bronzed



Chromed

# Fluxus Chandelier/bronzed

**Designer**

Massimiliano Raggi

**Description/Descrizione**

Ceiling lamp with brass frame in brushed bronze or brushed nickel finish. Decorative glass spheres in ambered finish, bronze or chrome finish and small spheres in matching artistic mosaic.

*Lampadario con struttura in ottone nelle finiture bronzo spazzolato o nickel spazzolato. Sfere decorative in vetro ambrato, bronzato o cromato e piccole sfere in mosaico artistico in abbinamento.*

**Ceiling Rose/Rosone**

no.2 Ø: 19 cm · Ø: 7 1/2"

**Dimensions/Dimensioni**

W: 147 cm x D: 52 cm x H: 85 cm · W: 57 7/8" x D: 9 7/8" x H: 33 1/2"

**Stem Length/Lunghezza Stelo**

Su richiesta / On request

**Weight/Peso**

25 kg · 55,1 lbs

**Bulb information/Attacco**

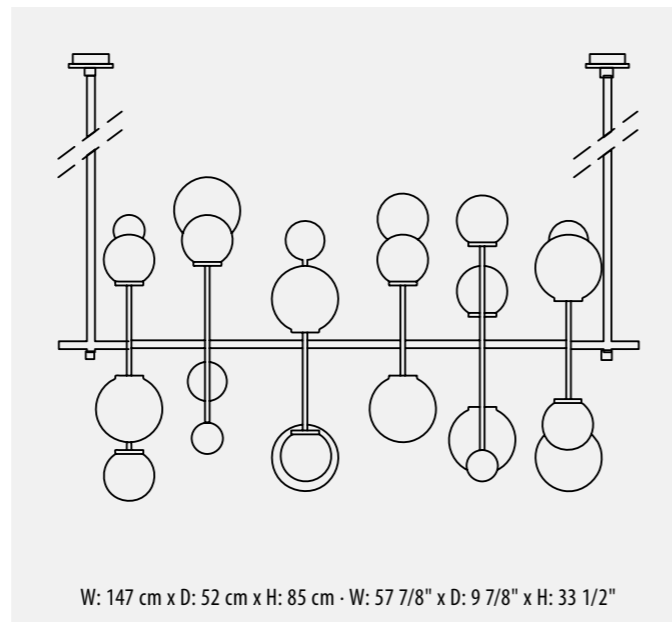
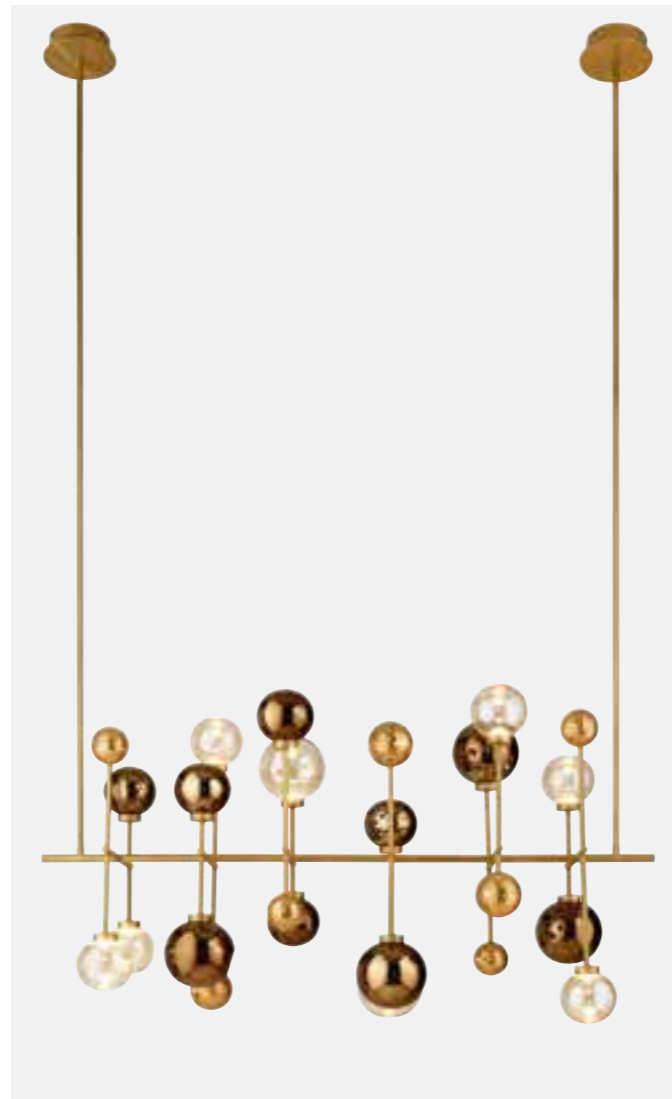
no.8 · 3 Watt LED 3000K incl. · 3200 LUMEN

**Voltage/Tensione**

220 V · Different voltage on request

**Certification/Certificazione**

CE  
UL







## Fluxus Chandelier/chromed

### Designer

Massimiliano Raggi

### Description/Descrizione

Ceiling lamp with brass frame in brushed bronze or brushed nickel finish. Decorative glass spheres in ambered finish, bronze or chrome finish and small spheres in matching artistic mosaic.

*Lampadario con struttura in ottone nelle finiture bronzo spazzolato o nickel spazzolato. Sfere decorative in vetro ambrato, bronzato o cromato e piccole sfere in mosaico artistico in abbinamento.*

### Ceiling Rose/Rosone

no.2 Ø: 19 cm · Ø: 7 1/2"

### Dimensions/Dimensioni

W: 147 cm x D: 52 cm x H: 85 cm · W: 57 7/8" x D: 9 7/8" x H: 33 1/2"

### Stem Length/Lunghezza Stelo

Su richiesta / On request

### Weight/Peso

25 kg · 55,1 lbs

### Bulb information/Attacco

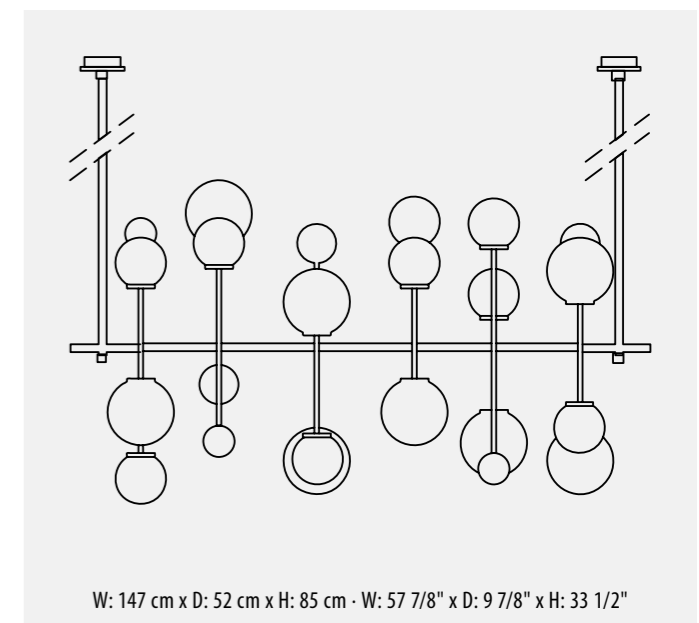
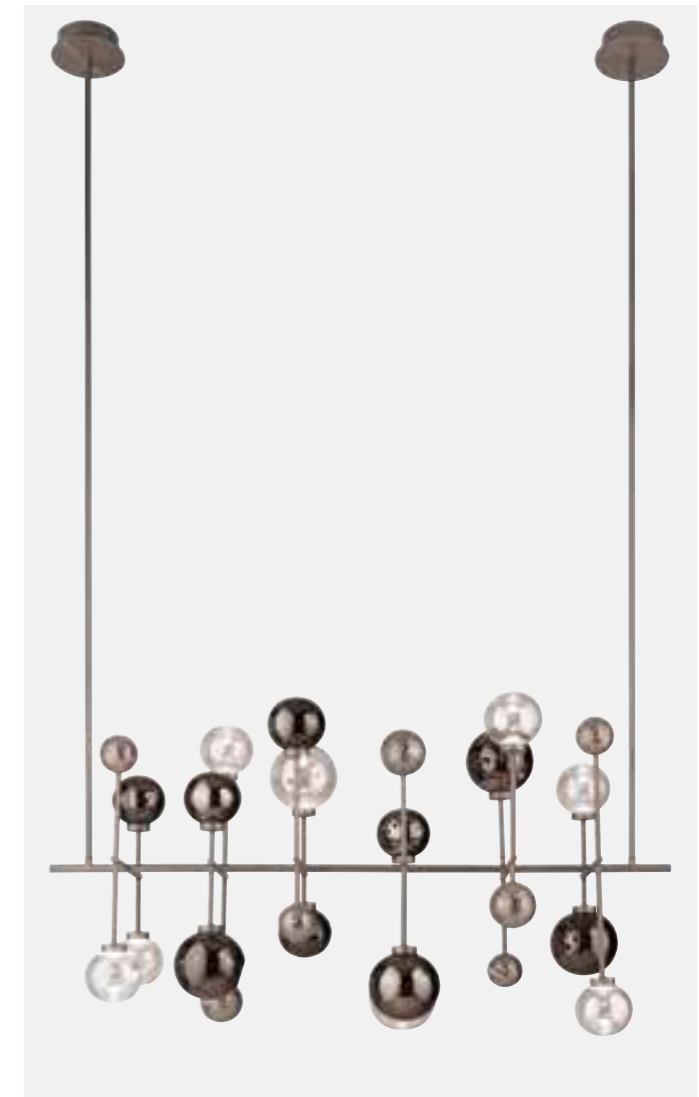
no.8 · 3 Watt LED 3000K incl. · 3200 LUMEN

### Voltage/Tensione

220 V · Different voltage on request

### Certification/Certificazione

CE  
UL



# Fluxus Ceiling Lamp/bronzed

**Designer**

Massimiliano Raggi

**Description/Descrizione**

Ceiling lamp with brass frame in brushed bronze or brushed nickel finish. Decorative glass spheres in ambered finish, bronze or chrome finish and small spheres in matching artistic mosaic.

*Lampadario con struttura in ottone nelle finiture bronzo spazzolato o nickel spazzolato. Sfere decorative in vetro ambrato, bronzato o cromato e piccole sfere in mosaico artistico in abbinamento.*

**Ceiling Rose/Rosone**

Ø: 19 cm · Ø: 7 1/2"

**Stem Length/Lunghezza Stelo**

Su richiesta / On request

**Weight/Peso**

15 kg · 33.06 lbs

**Bulb information/Attacco**

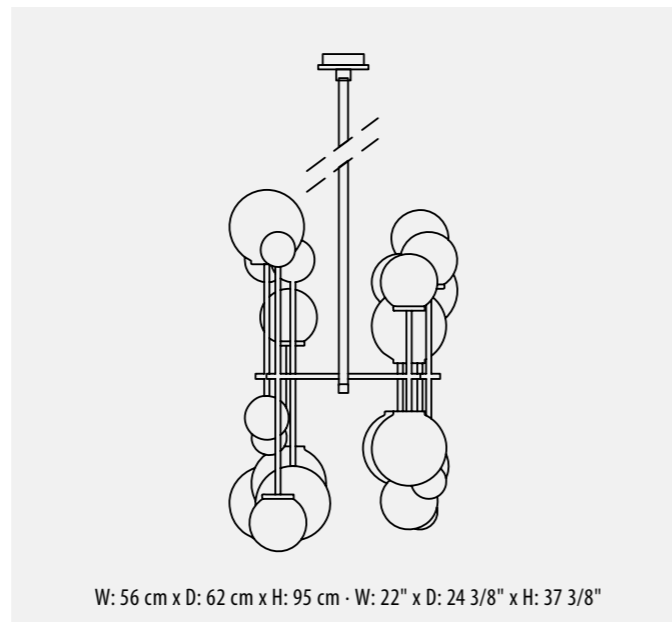
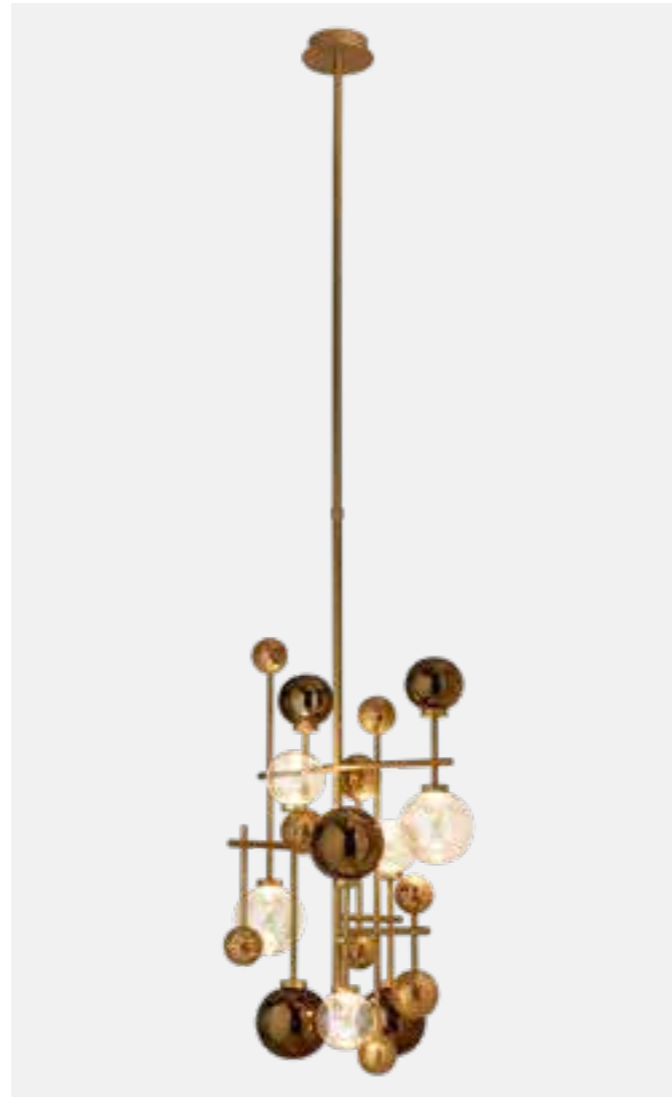
no.5 · 3 Watt LED 3000K incl. · 2000 LUMEN

**Voltage/Tensione**

220 V · Different voltage on request

**Certification/Certificazione**

CE  
UL



# Fluxus Ceiling Lamp/chromed

**Designer**

Massimiliano Raggi

**Description/Descrizione**

Ceiling lamp with brass frame in brushed bronze or brushed nickel finish. Decorative glass spheres in ambered finish, bronze or chrome finish and small spheres in matching artistic mosaic.

*Lampadario con struttura in ottone nelle finiture bronzo spazzolato o nickel spazzolato. Sfere decorative in vetro ambrato, bronzato o cromato e piccole sfere in mosaico artistico in abbinamento.*

**Ceiling Rose/Rosone**

Ø: 19 cm · Ø: 7 1/2"

**Stem Length/Lunghezza Stelo**

Su richiesta / On request

**Weight/Peso**

15 kg · 33.06 lbs

**Bulb information/Attacco**

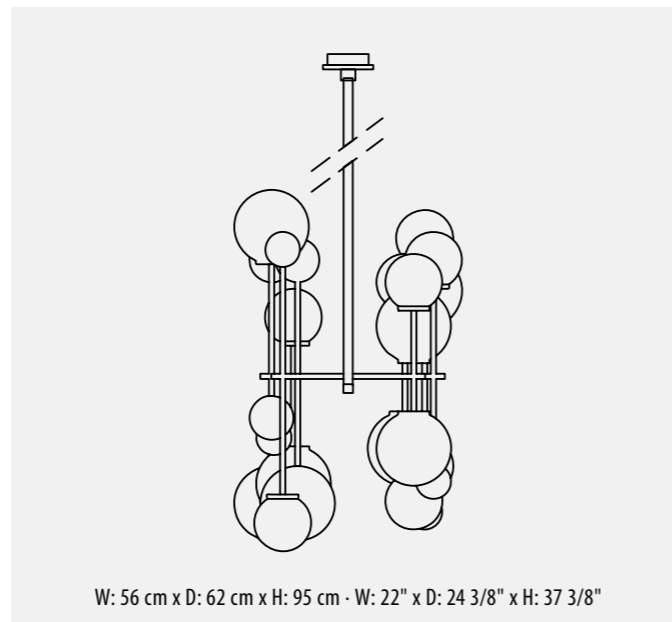
no.5 · 3 Watt LED 3000K incl. · 2000 LUMEN

**Voltage/Tensione**

220 V · Different voltage on request

**Certification/Certificazione**

CE  
UL



W: 56 cm x D: 62 cm x H: 95 cm · W: 22" x D: 24 3/8" x H: 37 3/8"



# Fluxus Floor Lamp/bronzed-chromed

**Designer**

Massimiliano Raggi

**Description/Descrizione**

Floor lamp with brass frame in brushed bronze or brushed nickel finish. Decorative glass spheres in ambered finish, bronze or chrome finish and small spheres in matching artistic mosaic.

*Lampada da terra con struttura in ottone nelle finiture bronzo spazzolato o nickel spazzolato. Sfere decorative in vetro ambrato, bronzato o cromato e piccole sfere in mosaico artistico in abbinamento.*

**Weight/Peso**

6 kg · 1,2 lbs

**Bulb information/Attacco**

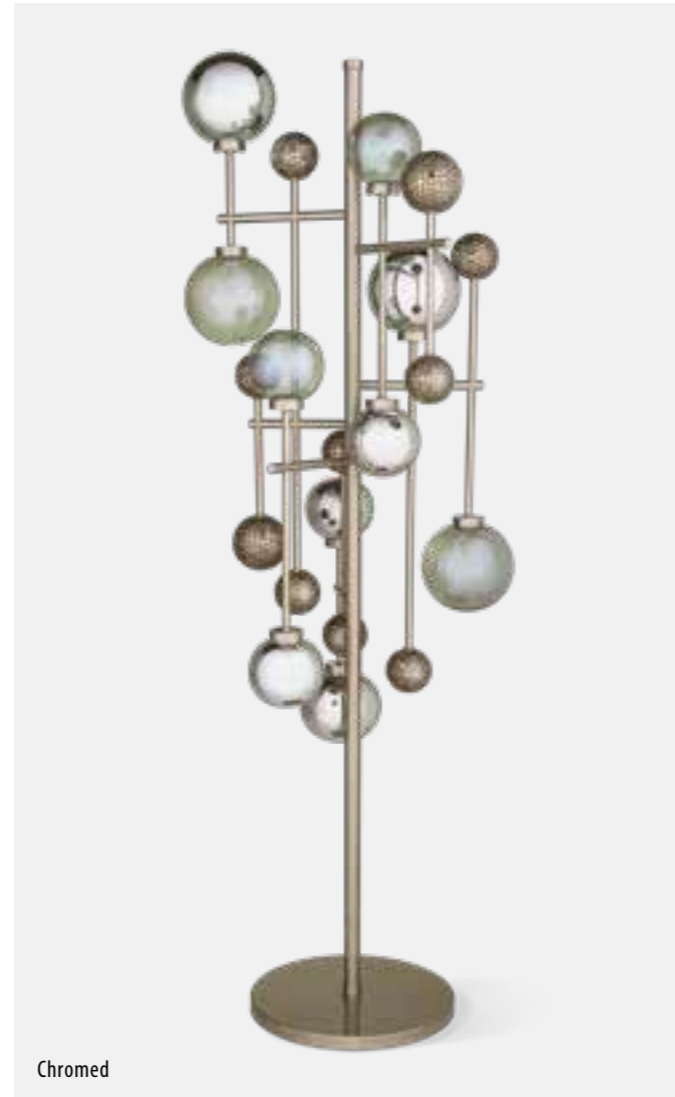
no.4 · 3 Watt LED 3000K incl. · 2000 LUMEN

**Voltage/Tensione**

220 V · Different voltage on request

**Certification/Certificazione**

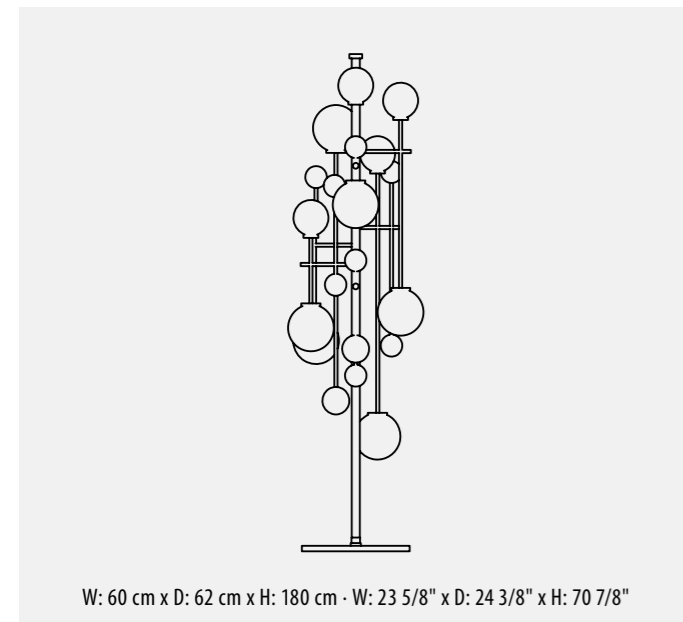
CE  
UL



Chromed



Bronzed



W: 60 cm x D: 62 cm x H: 180 cm · W: 23 5/8" x D: 24 3/8" x H: 70 7/8"



# Fluxus Wall Sconce/bronzed-chromed

**Designer**

Massimiliano Raggi

**Description/Descrizione**

Frame available in brushed bronze or brushed nickel finish.  
Decorative spheres in bronzed or chromed glass and matching artistic mosaic.

*Struttura in finitura bronzo spazzolato oppure nickel spazzolato.  
Sfere decorative in vetro bronzato oppure cromato e in mosaico artistico in abbinamento.*

**Weight/Peso**

4 kg · 8.81 lbs

**Bulb information/Attacco**

no.2 · 3 Watt LED 3000K incl. · 800 LUMEN

**Fixing frame/Ingombro fissaggio**

W: 18 x H: 40 cm · W: 7 1/8" x H: 15 3/4"

**Voltage/Tensione**

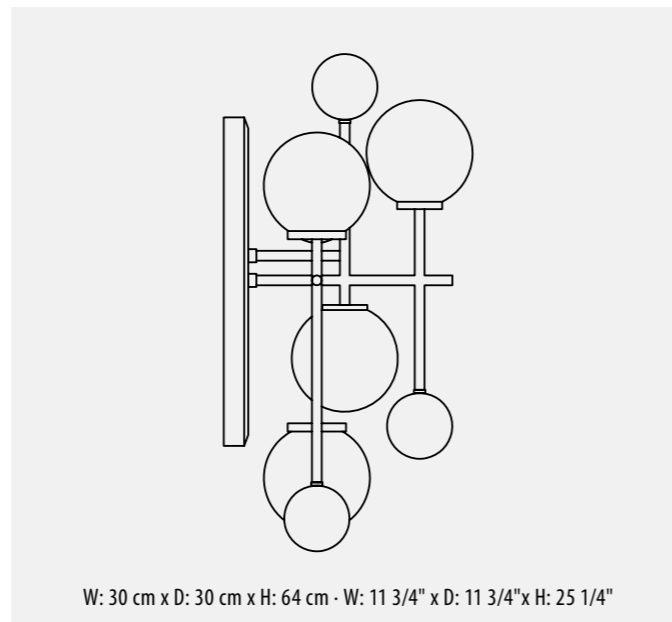
220 V · Different voltage on request

**Certification/Certificazione**

CE  
UL



Chromed



W: 30 cm x D: 30 cm x H: 64 cm · W: 11 3/4" x D: 11 3/4" x H: 25 1/4"



Bronzed



# Odissey Ceiling Lamp

**Designer**

Massimiliano Raggi

**Description/Descrizione**

Ceiling lamp made in antique bronze finish brass. Decorative rings in antique bronze finish and polished ebony finish. Decorative pirex tube in the middle.

*Lampadario a soffitto in ottone finitura bronzo antico. Anelli decorativi in ottone finitura bronzo antico e ebano lucido. Inserto pirex lavorato sull'asse centrale.*

**Ceiling Rose/Rosone**

Ø: 29 cm x Ø: 11 3/8"

**Stem Length/Lunghezza Stelo**

Su richiesta / On request

**Weight/Peso**

12 kg - 26.46 lbs

**Bulb information/Attacco**

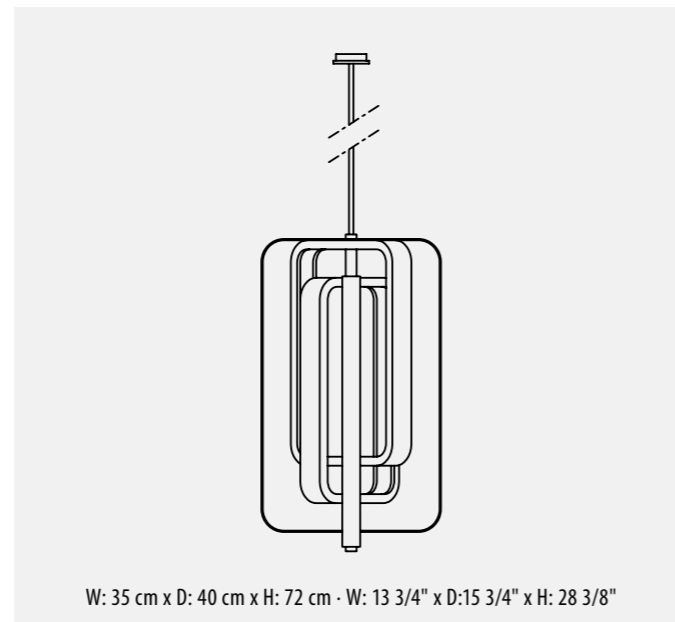
STRIP LED 56 WATT TOTALI, 3000°K - 2900 LUMEN

**Voltage/Tensione**

220 V - Different voltage on request

**Certification/Certificazione**

CE







# Odissey Wall Sconce

**Designer**

Massimiliano Raggi

**Description/Descrizione**

Wall sconce made in antique bronze finish brass. Decorative rings in antique bronze finish and polished ebony finish. Decorative pirez tube in the middle.

*Lampada a parete in ottone finitura bronzo antico e specchio bronzo decorativo. Anelli in ottone finitura bronzo antico e ebano lucido. Inserto pirez lavorato sull'asse centrale.*

**Ceiling Rose/Rosone**

W: 20 x H: 31 cm · W: 7 7/8" x H: 12 1/4"

**Weight/Peso**

6 Kg · 13.23 lbs

**Bulb information/Attacco**

STRIP LED 16 WATT TOTALI, 3000°K · 800 LUMEN

**Fixing frame/Ingombro fissaggio**

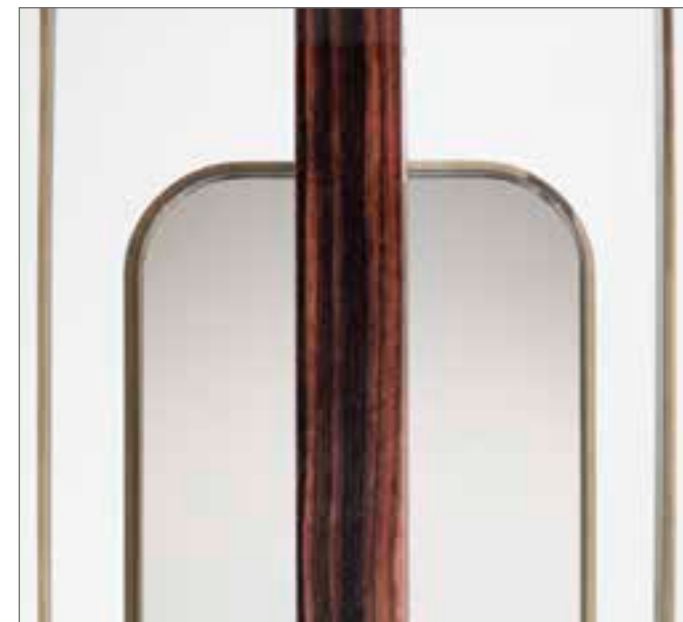
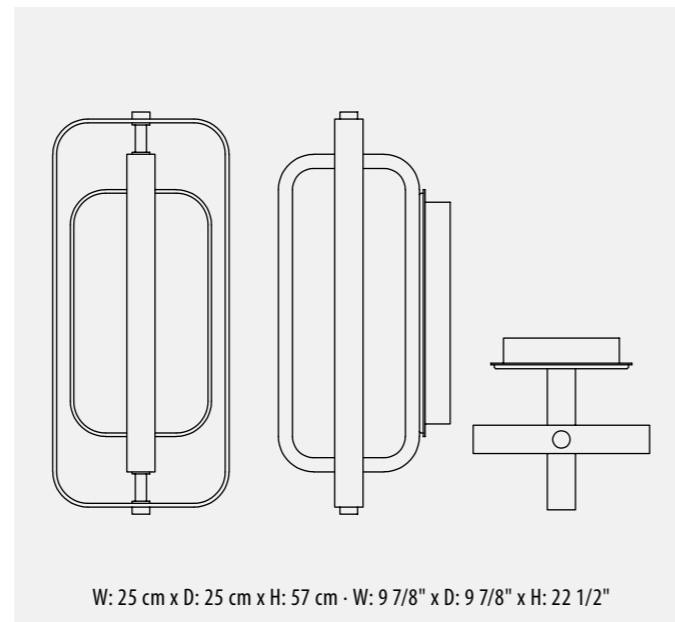
W: 20 x H: 31 cm · W: 7 7/8" x H: 12 1/4"

**Voltage/Tensione**

220 V · Different voltage on request

**Certification/Certificazione**

CE



# Rigel Table Lamp

**Designer**

Massimiliano Raggi

**Description/Descrizione**

Table Lamp with bronzed metal frame and decorative mirror insert. External sphere in bronzed glass and a white matt sphere inside.

*Lampada da tavolo con struttura in metallo bronzato e inserto in specchio extrachiaro. Sfera in vetro bronzato e sfera interna in vetro bianco opaco.*

**Weight/Peso**

6 Kg - 13.23 lbs

**Bulb information/Attacco**

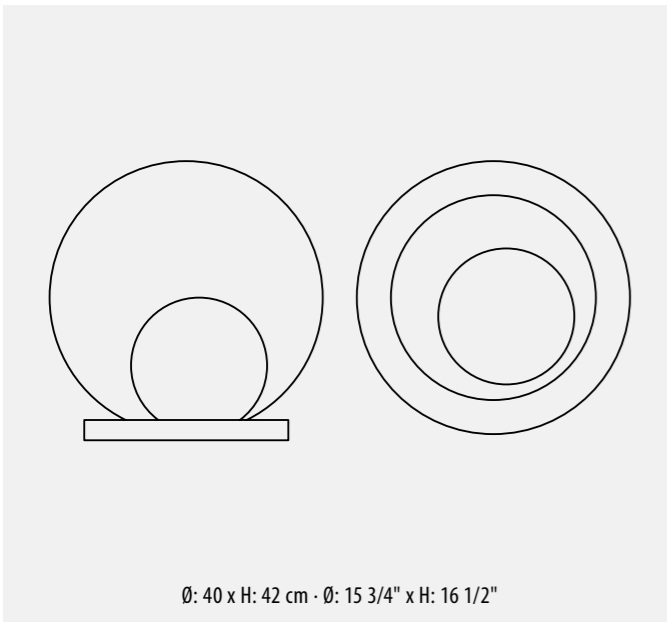
N.1 - Max 60 Watt E27 incl.

**Voltage/Tensione**

220 V - Different voltage on request

**Certification/Certificazione**

CE



# Tellus Table Lamp

**Designer**

Massimiliano Raggi

**Description/Descrizione**

Table lamp realized bronzed or chromed frame. Decorative inserts in Vetrinite. Base in polished ebony and lampshade in ivory chinette.

*Lampada da tavolo realizzata con struttura bronzata o cromata. Inserti decorativi in Vetrinite. Base in ebano lucido e paralume in chinette avorio.*

**Lampshade/Paralumi**

W: 46 x D: 24 x H: 21 cm  
W: 18 1/8" x D: 9 1/2" x H: 8 1/4"

**Weight/Peso**

6 Kg - 13.23 lbs

**Bulb information/Attacco**

no.1 - Max 60 Watt E27 incl.

**Voltage/Tensione**

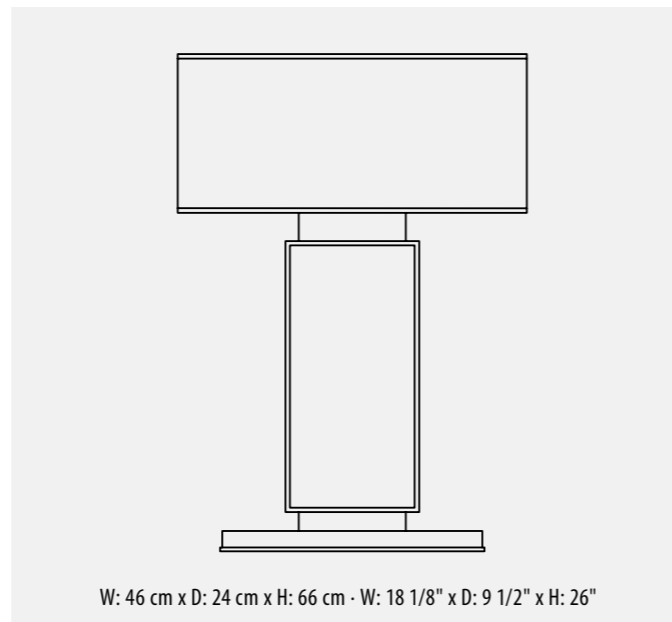
220 V - Different voltage on request

**Certification/Certificazione**

CE



Deluxe version



W: 46 cm x D: 24 cm x H: 66 cm - W: 18 1/8" x D: 9 1/2" x H: 26"





## Selfies Wall Sconce Collection

**Designer**

Massimiliano Raggi

**Description/Descrizione**

Wall sconce with front and back led lighting. Metal frame in antique bronze or polished chrome finish and artistic mosaic decoration.

*Lampada a parete in metallo finitura bronzo antico o cromo lucido, illuminazione perimetrale e posteriore. Decorazione in mosaico artistico.*

**Weight/Peso**

12 Kg - 26.46 lbs

**Bulb information/Attacco**

STRIP LED 28 Watt - 1500 LUMEN

**Fixing frame/Ingombro fissaggio**

Ø: 48 cm - Ø: 18 7/8"

**Voltage/Tensione**

220 V - Different voltage on request

**Certification/Certificazione**

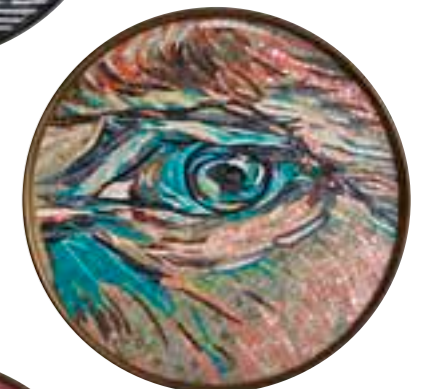
CE



ANNIE



ROBERT



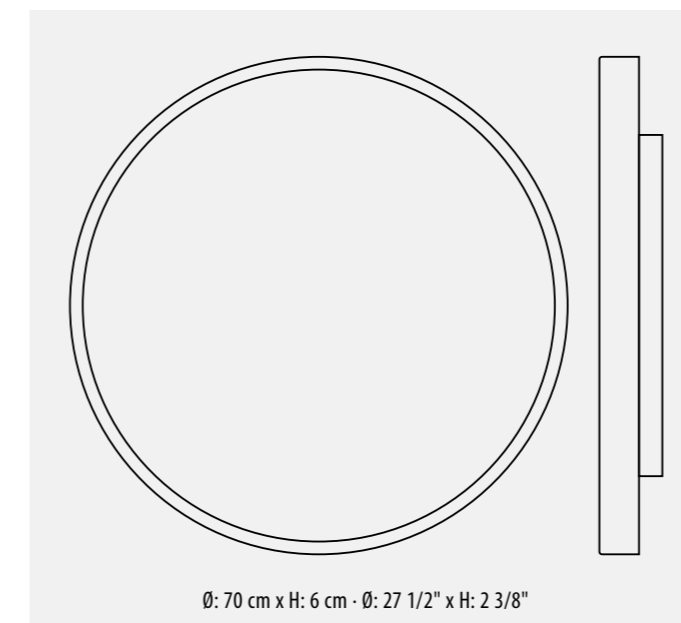
DAVID



CINDY



WILLIAM



Ø: 70 cm x H: 6 cm - Ø: 27 1/2" x H: 2 3/8"



# Element K Ceiling Lamp

**Designer**  
HBA

**Description/Descrizione**

Ceiling lamp brass frame. Shells in black or white enameled ceramic (Version 1) or in chrome, copper or gold finish (Version 2). Internal shell available in aquamarine, blue, darkgrey, green, palegrey or red glass.

*Lampadario con struttura in ottone. Gusci in ceramica smaltata bianca o nera (Versione 1) oppure in finitura cromo, oro o rame (Versione 2). Interno gusci disponibili in vetro color aquamarina, blu, grigio chiaro, grigio scuro, rosso oppure verde.*

**Ceiling Rose/Rosone**

Ø: 40 cm · Ø: 15 3/4"

**Rod Length/Lunghezza Cavo**

100 cm · 39 3/8"

**Weight/Peso**

5 kg · 11.02 lbs

**Bulb information/Attacco**

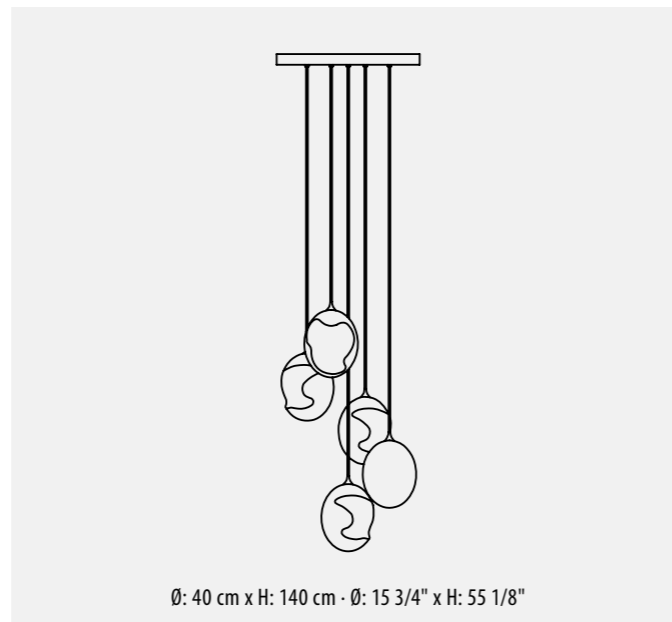
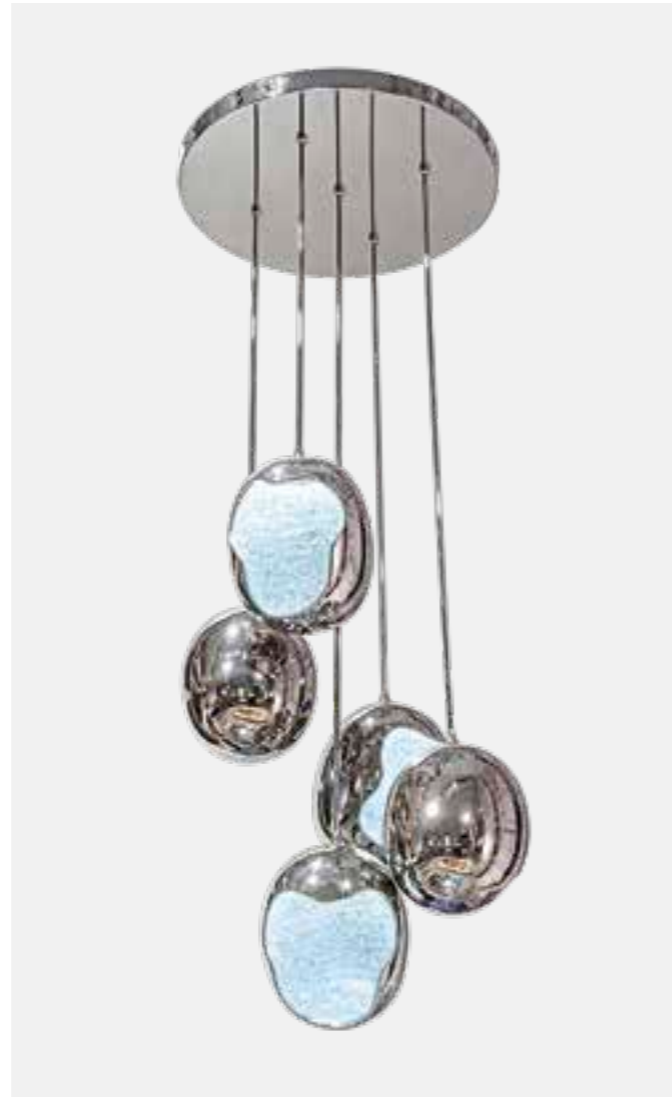
no.5 · 1,2 Watt 3000 K incl. · 600 LUMEN

**Voltage/Tensione**

220 V · Different voltage on request

**Certification/Certificazione**

CE



# Étoile Floor Lamp

**Designer**

Massimiliano Raggi

**Description/Descrizione**

Floor Lamp with metal structure in antique silver or antique bronze finish. Lampshade in matching fabric. Decorative ring covered with artistic mosaic.

*Lampada da terra con struttura e basamento in acciaio finitura argento antico o bronzo antico. Paralume in tessuto abbinato. Anello decorativo rivestito in mosaico artistico.*

**Lampshade/Paralumi**

Ø: 50 cm x H: 25 cm · Ø: 19 5/8" x H: 9 7/8"

**Weight/Peso**

20 kg · 44,1 lbs

**Bulb information/Attacco**

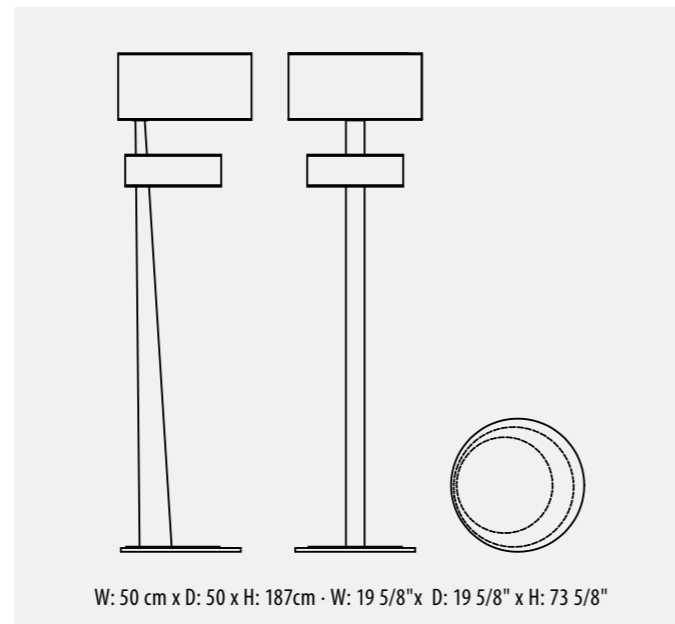
no. 2 · Strip LED 12 Watt · 590 LUMEN + 1 x MAX 40 Watt E27

**Voltage/Tensione**

220 V · Different voltage on request

**Certification/Certificazione**

CE





# Bauta Ceiling Lamp 1

**Designer**

Massimiliano Raggi

**Description/Descrizione**

Ceiling lamp with lampshade in ivory or bronze chinette fabric and metal frame in antique bronze finish.

*Lampadario con paralume in tessuto chinette avorio o bronzo, tige in finitura bronzo antico.*

**Ceiling Rose/Rosone**

12 x 12 cm - 4 3/4" x 4 3/4"

**Lampshade/Paralumi**

W: 90 cm x D: 90 cm x H: 50 cm  
W: 35 3/8" x D: 35 3/8" x H: 19 3/8"

**Rod Length/Lunghezza Cavo**

Variabile / Variable

**Weight/Peso**

4 kg - 8,8 lbs

**Bulb information/Attacco**

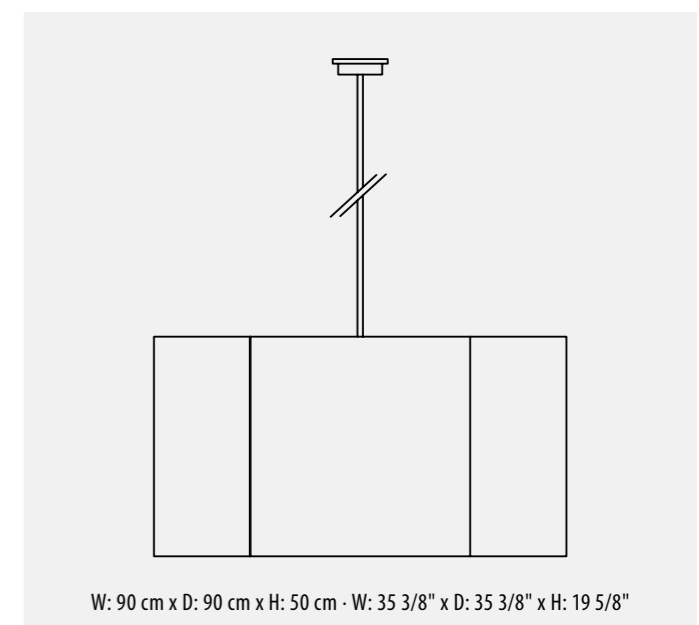
no.1 - Max 60Watt E27 incl.

**Voltage/Tensione**

220 V - Different voltage on request

**Certification/Certificazione**

CE



## Bauta Ceiling Lamp 2

**Designer**

Massimiliano Raggi

**Description/Descrizione**

Ceiling lamp with lampshade in ivory or bronze chinette fabric and metal frame in antique bronze finish

*Lampadario con paralume in tessuto chinette avorio o bronzo, tige in finitura bronzo antico.*

**Ceiling Rose/Rosone**

12 x 12 cm - 4 3/4" x 4 3/4"

**Lampshade/Paralumi**

W: 25 cm x D: 25 cm x H: 110 cm  
W: 9 7/8" x D: 9 7/8" x H: 43 1/4"

**Rod Length/Lunghezza Cavo**

Variabile / Variable

**Weight/Peso**

4 kg - 8,8 lbs

**Bulb information/Attacco**

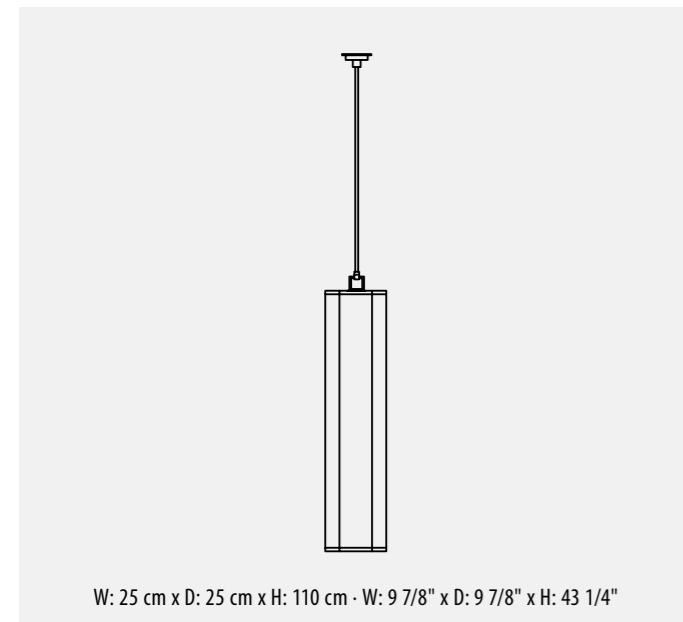
no.1 - Max 60 Watt E27 incl.

**Voltage/Tensione**

220 V - Different voltage on request

**Certification/Certificazione**

CE



## Bauta Ceiling Lamp 3

**Designer**

Massimiliano Raggi

**Description/Descrizione**

Ceiling lamp with lampshade in ivory or bronze chinette fabric and tige in antique bronze finish.

*Lampadario con paralume in tessuto chinette avorio o bronzo, tige in finitura bronzo antico.*

**Ceiling Rose/Rosone**

12 x 12 cm - 4 3/4" x 4 3/4"

**Lampshade/Paralumi**

W: 38 cm x D: 38 cm x H: 90 cm  
W: 15" x D: 15" x H: 35 3/8"

**Rod Length/Lunghezza Cavo**

Variabile / Variable

**Weight/Peso**

5 kg - 11 lbs

**Bulb information/Attacco**

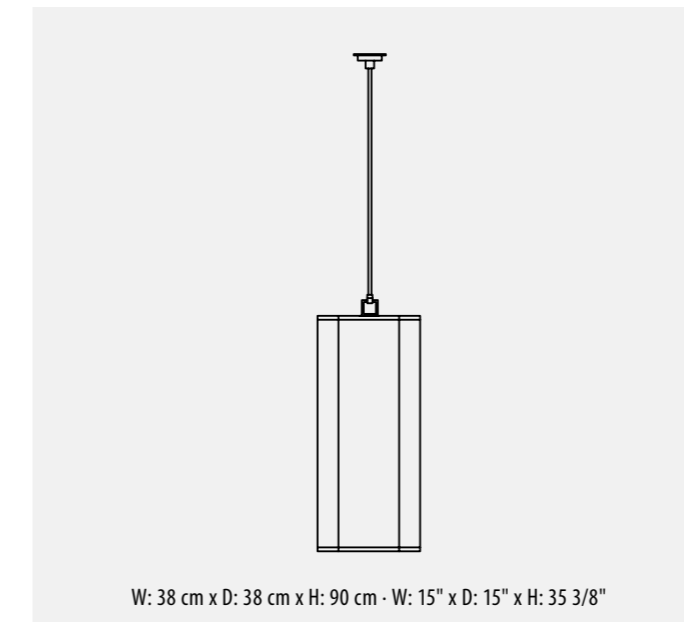
no.1 - Max 60 Watt E27 incl.

**Voltage/Tensione**

220 V - Different voltage on request

**Certification/Certificazione**

CE



## Bauta Wall Sconce

**Designer**

Massimiliano Raggi

**Description/Descrizione**

Frame and frontal in bronzed mirror and metal.  
Lampshade in ivory and bronze chinette fabric.

*Struttura e frontale in specchio e metallo bronzato.  
Paralume in tessuto chinette avorio e bronzo.*

**Lampshade/Paralumi**

W: 19 x D: 19 x H: 40 cm · W: 7 1/2" x D: 7 1/2" x H: 15 3/4"

**Weight/Peso**

7 kg · 15,4 lbs

**Bulb information/Attacco**

no.1 · Max 30 Watt E27 incl.

**Fixing frame/Ingombro fissaggio**

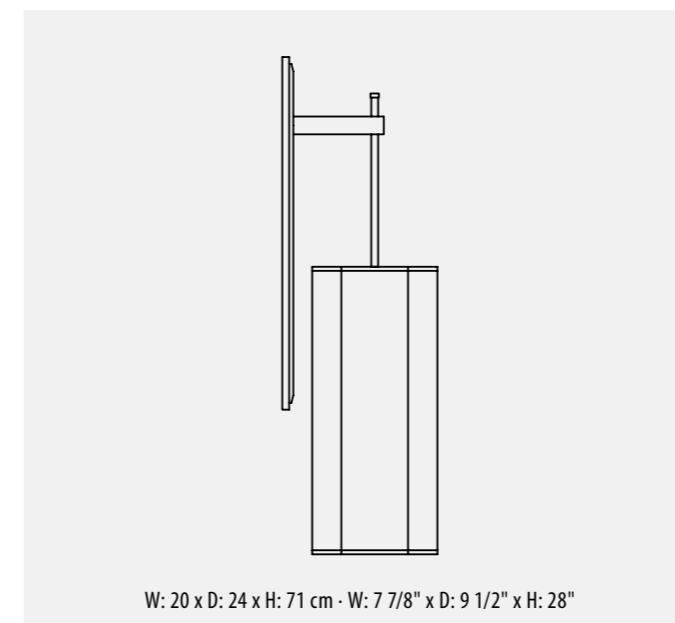
W: 14 x H: 48 cm · W: 5 1/2" x H: 18 7/8"

**Voltage/Tensione**

220 V · Different voltage on request

**Certification/Certificazione**

CE



W: 20 x D: 24 x H: 71 cm · W: 7 7/8" x D: 9 1/2" x H: 28"



# Odeon Ceiling Lamp

**Designer**

Massimiliano Raggi

**Description/Descrizione**

Ceiling Lamp with bronzed metal frame and lined pyrex glass.  
Double lampshade in bronzed metal mesh outside and ivory fabric inside.

*Lampadario con struttura in metallo bronzato e vetro pyrex rigato.  
Paralume esterno in rete metallica bronzata e paralume interno in tessuto color avorio.*

**Ceiling Rose/Rosone**

Ø: 14 cm - Ø: 5 1/2"

**Lampshade/Paralumi**

Ø: 85 x H: 33 cm - Ø: 33 1/2" x H: 13"

**Rod Length/Lunghezza Cavo**

Su richiesta / On request

**Weight/Peso**

18 kg - 36,9 lbs

**Bulb information/Attacco**

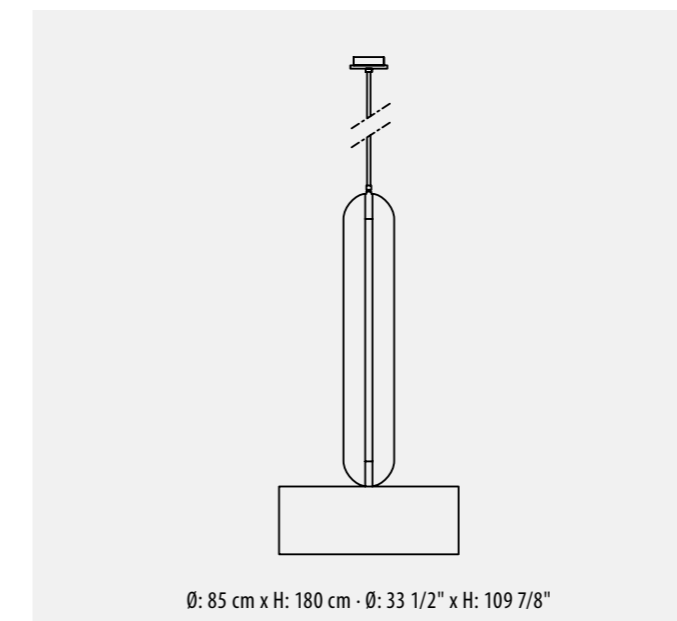
no.3 - Max 60 Watt E27 incl.

**Voltage/Tensione**

220 V - Different voltage on request

**Certification/Certificazione**

CE



# Odeon Floor Lamp

**Designer**

Massimiliano Raggi

**Description/Descrizione**

Floor Lamp with bronzed metal frame and lined pyrex glass. Base in decorative bronzed mirror. Double lampshade in bronzed metal mesh outside and ivory fabric inside.

*Lampada da terra con struttura in metallo bronzato e vetro pyrex rigato. Base in metallo e specchio bronzato applicato. Paralume esterno in rete metallica bronzata e paralume interno in tessuto color avorio.*

**Lampshade/Paralumi**

Ø: 54 x H: 31 cm · Ø: 21 1/4" x H: 12 1/4"

**Weight/Peso**

20 kg · 44,1 lbs

**Bulb information/Attacco**

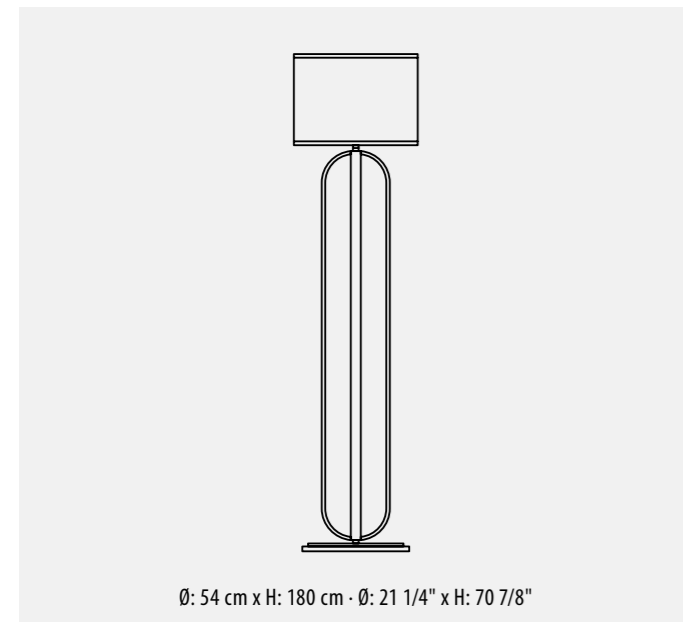
no.1 · Max 60 Watt E27 incl.

**Voltage/Tensione**

220 V · Different voltage on request

**Certification/Certificazione**

CE



# Odeon Table Lamp

**Designer**

Massimiliano Raggi

**Description/Descrizione**

Table Lamp with bronzed metal frame and lined pyrex glass. Base in decorative bronzed mirror. Double lampshade in bronzed metal mesh outside and ivory fabric inside.

*Lampada da tavolo con struttura in metallo bronzato e vetro pyrex rigato. Base in metallo e specchio bronzato applicato. Paralume esterno in rete metallica bronzata e paralume interno in tessuto color avorio.*

**Lampshade/Paralumi**

Ø: 44 cm x H: 33 cm · Ø: 17 3/8" x H: 13"

**Weight/Peso**

6 kg · 13,2 lbs

**Bulb information/Attacco**

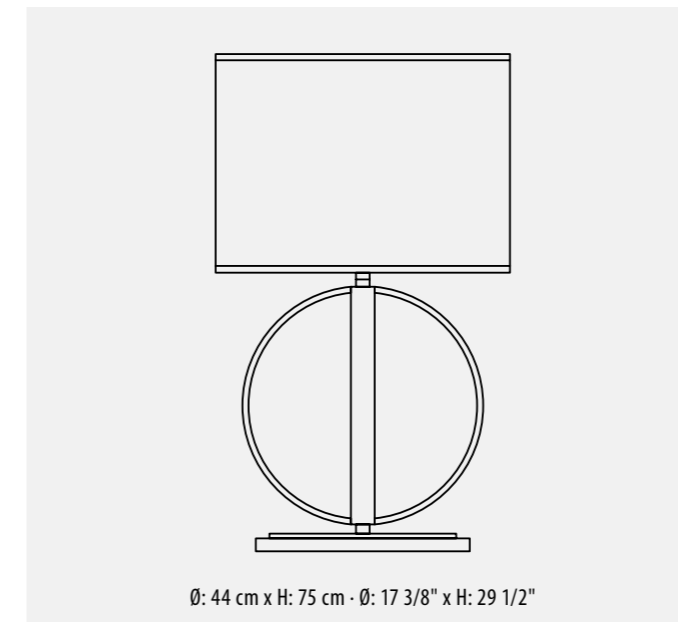
no.1 · Max 60 Watt E27 incl.

**Voltage/Tensione**

220 V · Different voltage on request

**Certification/Certificazione**

CE



## Amalsonte Table Lamp

### Designer

Mr. Christian Lacroix

### Description/Descrizione

Table lamp in glossy black lacquered solidwood. Lampshade in blue, beige, red or yellow silk fabric and matching coloured fringes in mixed viscose.

*Lampada da tavola con struttura in legno massello laccato nero lucido. Paralume in seta nei colori azzurro, beige, giallo o rosso e frangia decorativa in misto viscosa in abbinamento.*

### Lampshade/Paralumi

Ø: 40 cm x H: 34 cm · Ø: 15 3/4" x H: 13 3/8"

### Weight/Peso

6 kg · 13,2 lbs

### Bulb information/Attacco

no.1 · Max 40 Watt E27 incl.

### Voltage/Tensione

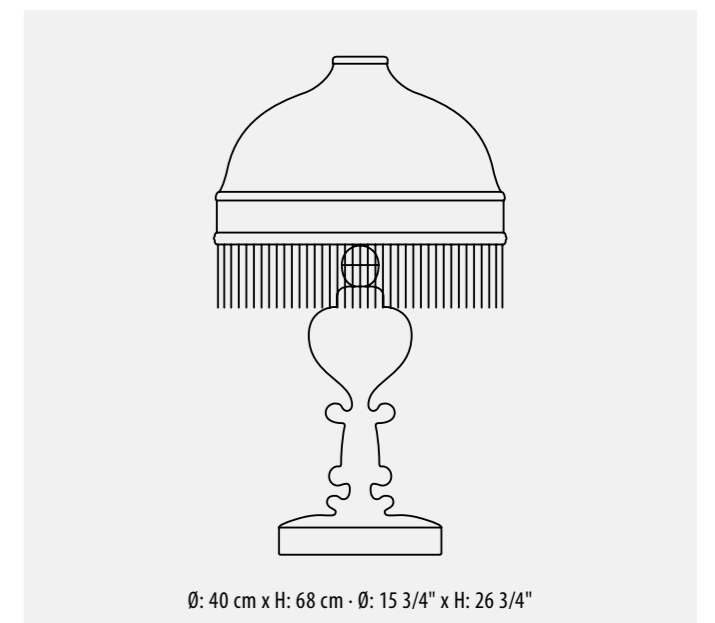
220 V · Different voltage on request

### Certification/Certificazione

CE

### \* Orders/Ordini

Ordine minimo 10 pezzi · Minimum order 10 pieces



## Desideria Suspended Lamp 60

### Designer

Mr. Christian Lacroix

### Description/Descrizione

Ceiling lamp with lampshade in silk fabric in colours black, red or yellow and matching coloured fringes in mixed viscose.

*Lampadario con paralume in tessuto di seta nei colori giallo, nero oppure rosso e frangia decorativa in misto viscosa in abbinamento.*

### Ceiling Rose/Rosone

Ø: 12 cm · Ø: 4 3/4"

### Lampshade/Paralumi

Ø: 60 cm · Ø: 23 5/8"

### Rod Length/Lunghezza Cavo

100 cm · 39 3/8"

### Weight/Peso

8 kg · 17,6 lbs

### Bulb information/Attacco

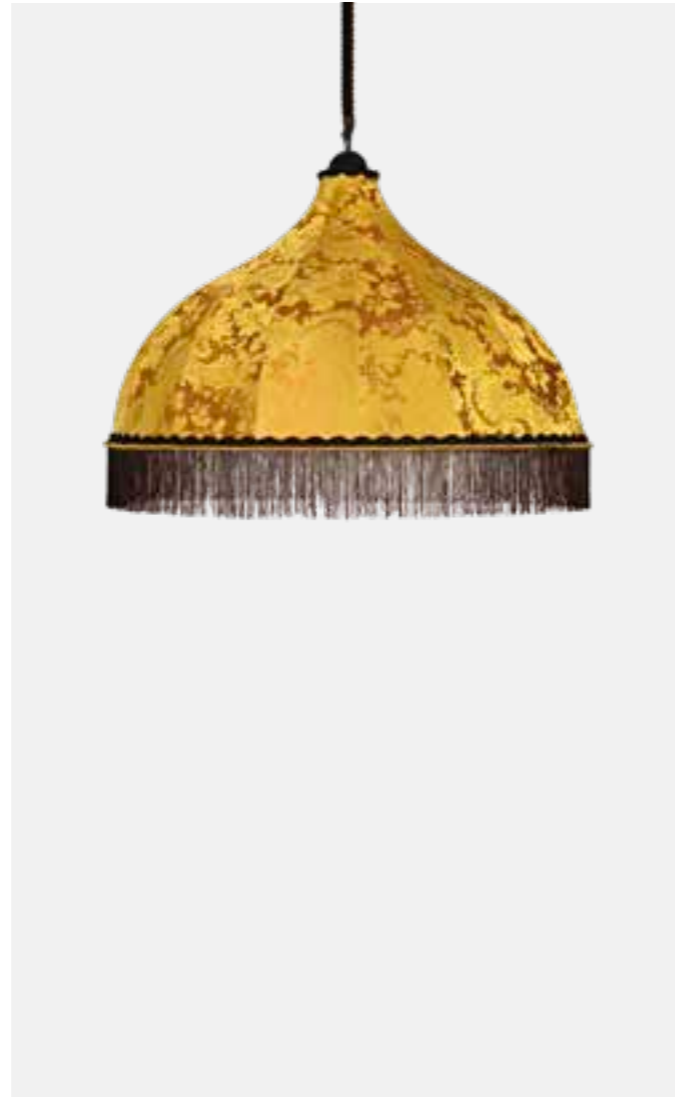
no.1 · Max 40 Watt E27 incl.

### Voltage/Tensione

220 V · Different voltage on request

### Certification/Certificazione

CE



Ø: 60 cm x H: 43 cm · Ø: 23 5/8" x H: 16 7/8"

## Desideria Suspended Lamp 80

### Designer

Mr. Christian Lacroix

### Description/Descrizione

Ceiling lamp with lampshade in silk fabric in colours black, red or yellow and matching coloured fringes in mixed viscose.

*Lampadario con paralume in tessuto di seta nei colori giallo, nero oppure rosso e frangia decorativa in misto viscosa in abbinamento.*

### Ceiling Rose/Rosone

Ø 12 cm · Ø 4 3/4"

### Lampshade/Paralumi

Ø 80 cm · Ø 31 1/2"

### Rod Length/Lunghezza Cavo

100 cm · 39 3/8"

### Weight/Peso

9 kg · 19,8 lbs

### Bulb information/Attacco

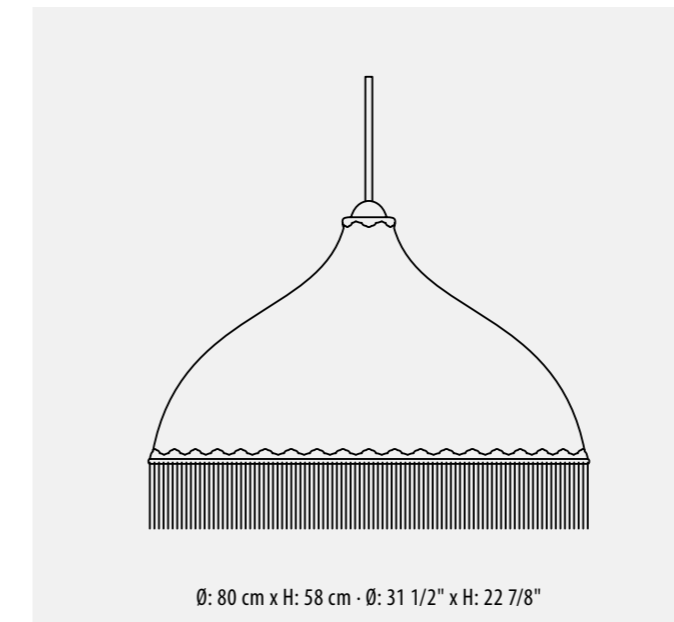
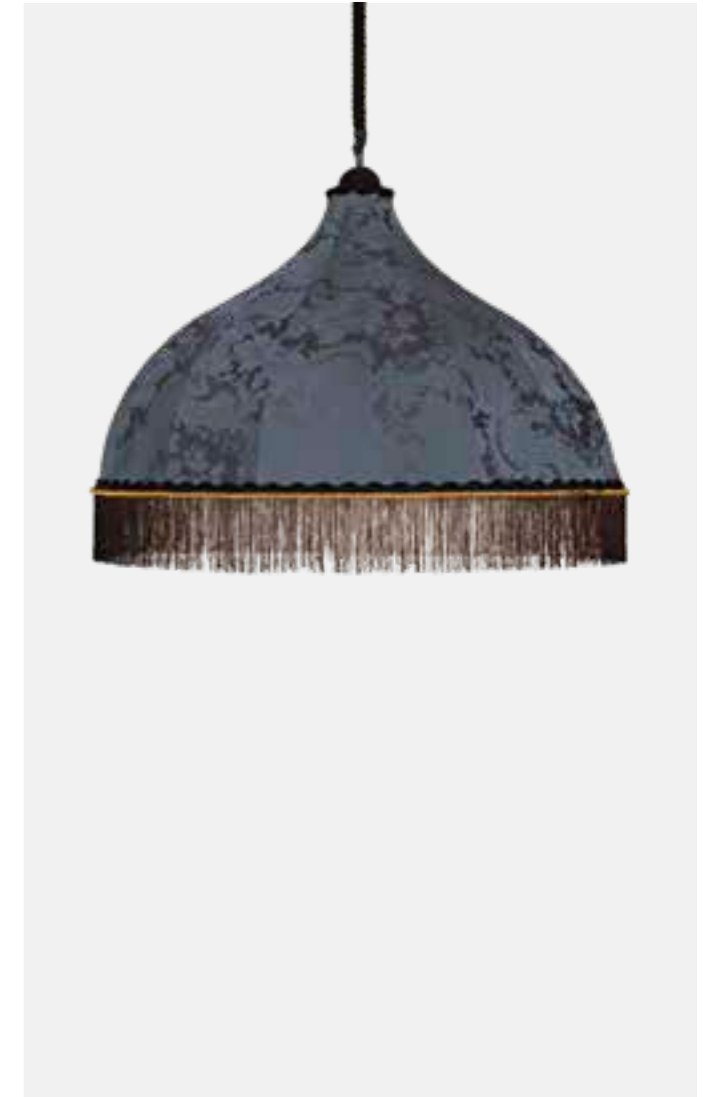
no.1 Max 40 Watt E27 incl.

### Voltage/Tensione

220 V · Different voltage on request

### Certification/Certificazione

CE



Ø: 80 cm x H: 58 cm · Ø: 31 1/2" x H: 22 7/8"



# Desideria Suspended Lamp 120

**Designer**

Mr. Christian Lacroix

**Description/Descrizione**

Ceiling lamp with lampshade in silk fabric in colours black, red or yellow and matching coloured fringes in mixed viscose.

*Lampadario con paralume in tessuto di seta nei colori giallo, nero oppure rosso e frangia decorativa in misto viscosa in abbinamento.*

**Ceiling Rose/Rosone**

Ø: 12 cm - Ø: 4 3/4"

**Lampshade/Paralumi**

Ø: 120 cm - Ø: 47 1/4"

**Rod Length/Lunghezza Cavo**

100 cm - 39 3/8"

**Weight/Peso**

10 kg - 22 lbs

**Bulb information/Attacco**

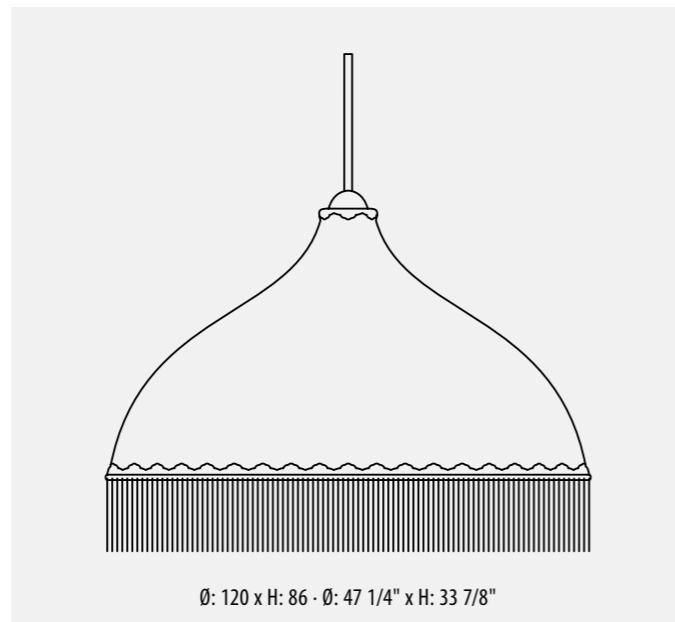
no.3 - Max 40 Watt E27 incl.

**Voltage/Tensione**

220 V - Different voltage on request

**Certification/Certificazione**

CE



# Helie Suspended Lamp 60

**Designer**

Mr. Christian Lacroix

**Description/Descrizione**

Ceiling lamp with lampshade in silk fabric in colours black, red or yellow and matching coloured fringes in mixed viscose.

*Lampadario con paralume in tessuto di seta nei colori giallo, nero oppure rosso e frangia decorativa in misto viscosa in abbinamento.*

**Ceiling Rose/Rosone**

Ø: 12 cm - Ø: 4 3/4"

**Lampshade/Paralumi**

Ø : 60 x H: 34 cm - Ø : 23 5/8" x H: 13 3/8"

**Rod Length/Lunghezza Cavo**

100 cm - 39 3/8"

**Weight/Peso**

8 kg - 4.4 lbs

**Bulb information/Attacco**

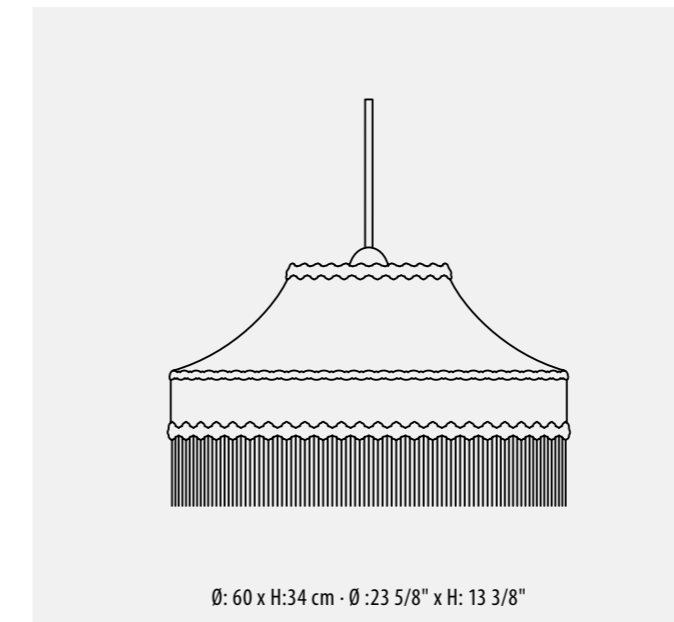
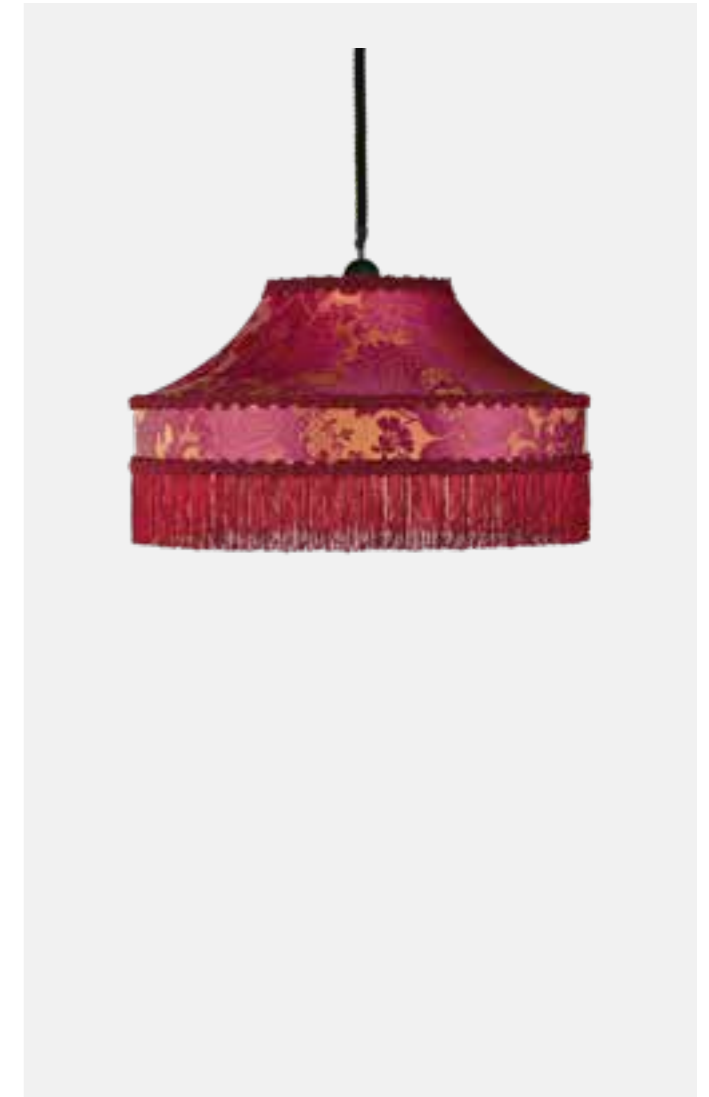
no.1 - Max 40 Watt E27 incl.

**Voltage/Tensione**

220 V - Different voltage on request

**Certification/Certificazione**

CE





# Helie Suspended Lamp 80

**Designer**

Mr. Christian Lacroix

**Description/Descrizione**

Ceiling lamp with lampshade in silk fabric in colours black, red or yellow and matching coloured fringes in mixed viscose.

*Lampadario con paralume in tessuto di seta nei colori giallo, nero oppure rosso e frangia decorativa in misto viscosa in abbinamento.*

**Ceiling Rose/Rosone**

Ø: 12 cm - Ø: 4 3/4"

**Lampshade/Paralumi**

Ø: 80 x H: 50 cm - Ø: 31 1/2" x H: 19 5/8"

**Rod Length/Lunghezza Cavo**

100 cm - 39 3/8"

**Weight/Peso**

10 kg - 4.4 lbs

**Bulb information/Attacco**

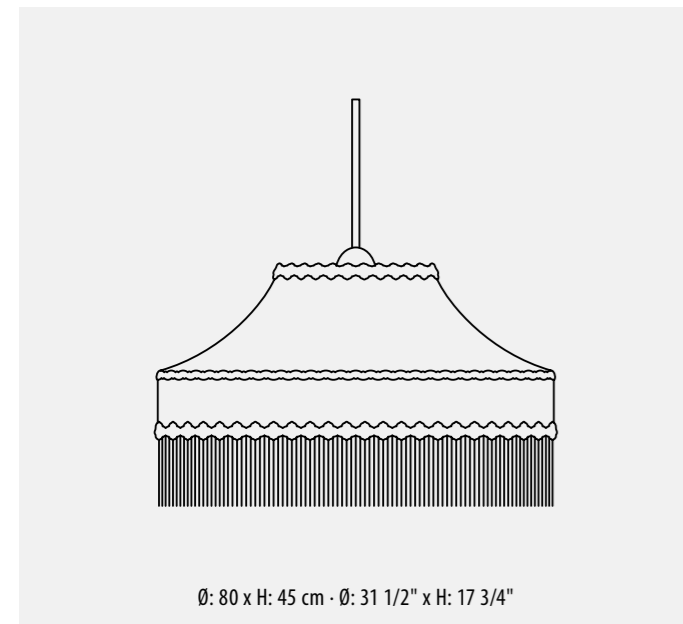
no.1 - Max 40 Watt E27 incl.

**Voltage/Tensione**

220 V - Different voltage on request

**Certification/Certificazione**

CE



# Helie Suspended Lamp 120

**Designer**

Mr. Christian Lacroix

**Description/Descrizione**

Ceiling lamp with lampshade in silk fabric in colours black, red or yellow and matching coloured fringes in mixed viscose.

*Lampadario con paralume in tessuto di seta nei colori giallo, nero oppure rosso e frangia decorativa in misto viscosa in abbinamento.*

**Ceiling Rose/Rosone**

Ø 12 cm - Ø 4 3/4"

**Lampshade/Paralumi**

Ø: 120 cm x H: 72 cm - Ø: 47 1/4" H: 28 3/8"

**Rod Length/Lunghezza Cavo**

39 3/8" - 100 cm

**Weight/Peso**

12 kg - 26.4 lbs

**Bulb information/Attacco**

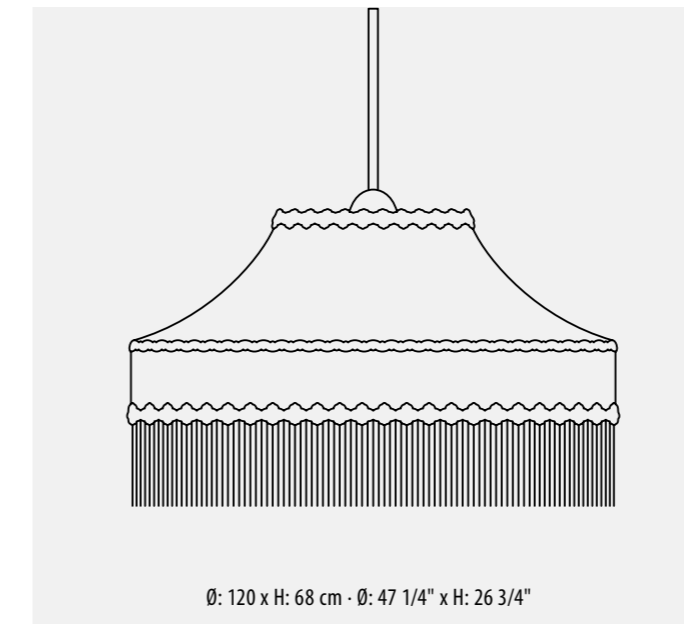
no.3 - Max 40 Watt E27 incl.

**Voltage/Tensione**

220 V - Different voltage on request

**Certification/Certificazione**

CE



# Honoraria Galla Placidia Floor Lamp

**Designer**

Mr. Christian Lacroix

**Description/Descrizione**

Floor Lamp with frame in black polished lacquered solidwood. Stem and lampshade in blue, beige, red or yellow silk fabric and matching coloured fringes in mixed viscose.

*Lampada da terra con struttura in legno massello laccato nero lucido. Stelo e paralume in tessuto di seta nei colori azzurro, beige, giallo e rosso e frangia decorativa in misto viscosa in abbinamento.*

**Lampshade/Paralumi**

Ø: 60 x H: 48 - Ø: 23 5/8" x H: 18 7/8"

**Weight/Peso**

8 kg · 17,6 lbs

**Bulb information/Attacco**

no.1 - Max 40 Watt E27 incl.

**Voltage/Tensione**

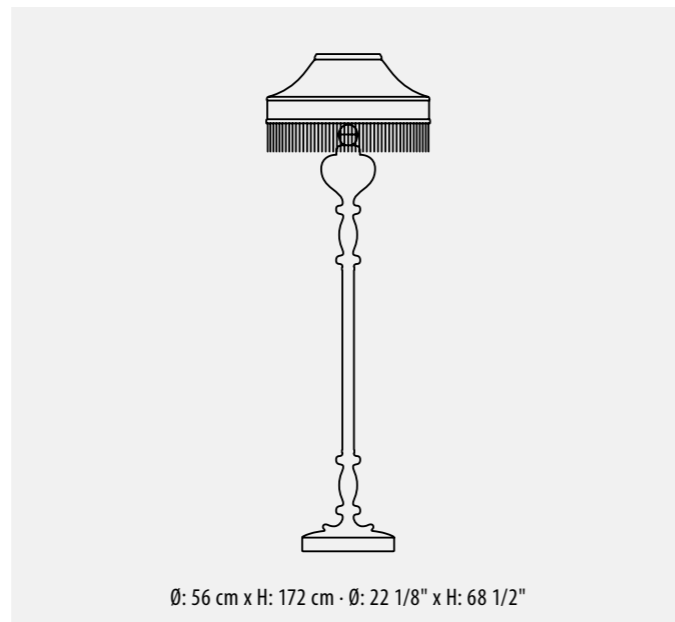
220 V · Different voltage on request

**Certification/Certificazione**

CE

**\* Orders/Ordini**

Ordine minimo 10 pezzi · Minimum order 10 pieces



# Licinia Valerie Floor Lamp

**Designer**

Mr. Christian Lacroix

**Description/Descrizione**

Floor Lamp with frame in black polished lacquered solidwood. Stem and lampshade in blue, beige, red or yellow silk fabric and matching coloured fringes in mixed viscose.

*Lampada da terra con struttura in legno massello laccato nero lucido. Stelo e paralume in tessuto di seta nei colori azzurro, beige, giallo e rosso e frangia decorativa in misto viscosa ini abbinamento.*

**Lampshade/Paralumi**

Ø: 52 cm x H: 47 cm - Ø: 20 1/2" x H: 18 1/2"

**Weight/Peso**

8 kg · 17,6 lbs

**Bulb information/Attacco**

no.1 - Max 40 Watt E27 incl.

**Voltage/Tensione**

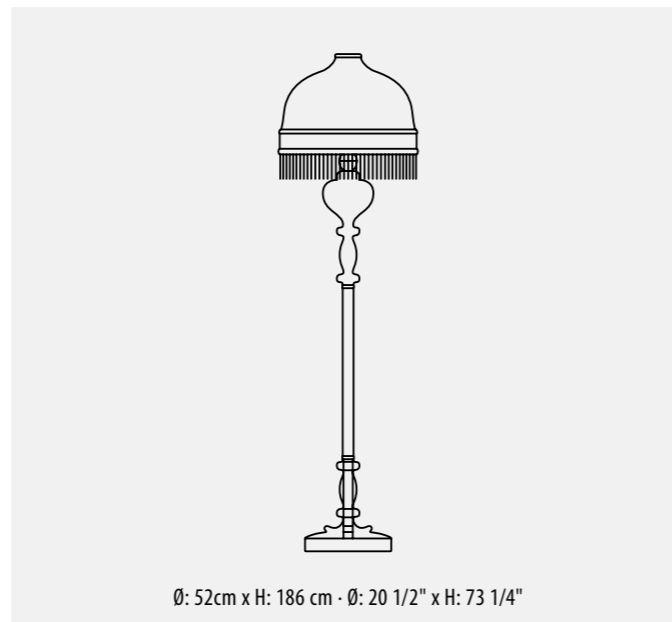
220 V · Different voltage on request

**Certification/Certificazione**

CE

**\* Orders/Ordini**

Ordine minimo 10 pezzi · Minimum order 10 pieces



# Théodelinde Rosemonde Table Lamp

**Designer**

Mr. Christian Lacroix

**Description/Descrizione**

Table Lamp with frame in black polished lacquered solidwood. Stem and lampshade in blue, beige, red or yellow silk fabric and matching coloured fringes in mixed viscose.

*Lampada da tavolo con struttura in legno massello laccato nero lucido. Stelo e paralume in tessuto di seta nei colori azzurro, beige, giallo e rosso e frangia decorativa in misto viscosa ini abbinamento.*

**Lampshade/Paralumi**

Ø: 40 x H: 25 cm · Ø: 15 3/4" x H: 9 7/8"

**Weight/Peso**

2 kg · 4.4 lbs

**Bulb information/Attacco**

no.1 · Max 40 Watt E27 incl.

**Voltage/Tensione**

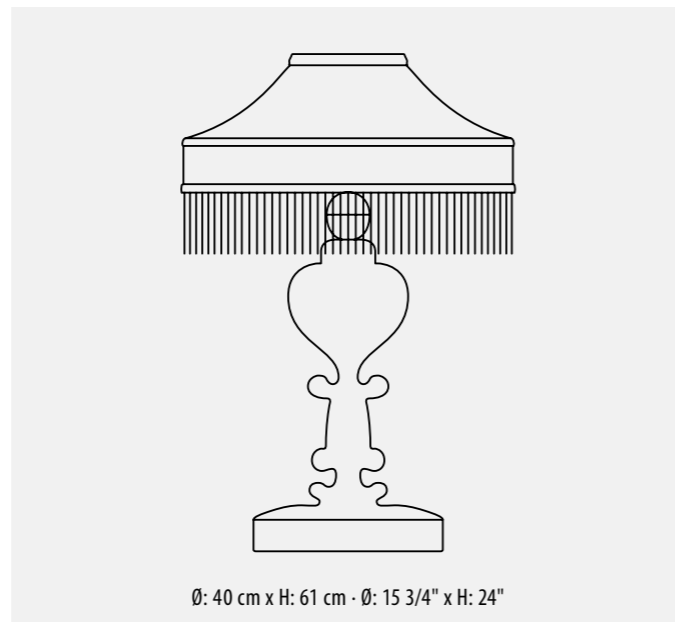
220 V · Different voltage on request

**Certification/Certificazione**

CE

**\* Orders/Ordini**

Ordine minimo 10 pezzi · Minimum order 10 pieces



# Plaza Round Ceiling Lamp Ø 90/120

**Designer**

Massimiliano Raggi

**Description/Descrizione**

Ceiling lamp shade in Tessere™ fabric. For informations about textile categories see Tessere™ Catalogue. Customizations available.

*Lampada a soffitto con paralume scelto tra i tessuti della Collezione Tessere™ di Sicis. Per le categorie tessuti vedi Catalogo Tessere™. Disponibilità di abbinamenti personalizzati.*

**Ceiling Rose/Rosone**

Ø: 15 cm · Ø: 5 7/8"

**Weight/Peso**

1,5 Kg · 3.31 lbs / 4.41 lbs

**Bulb information/Attacco**

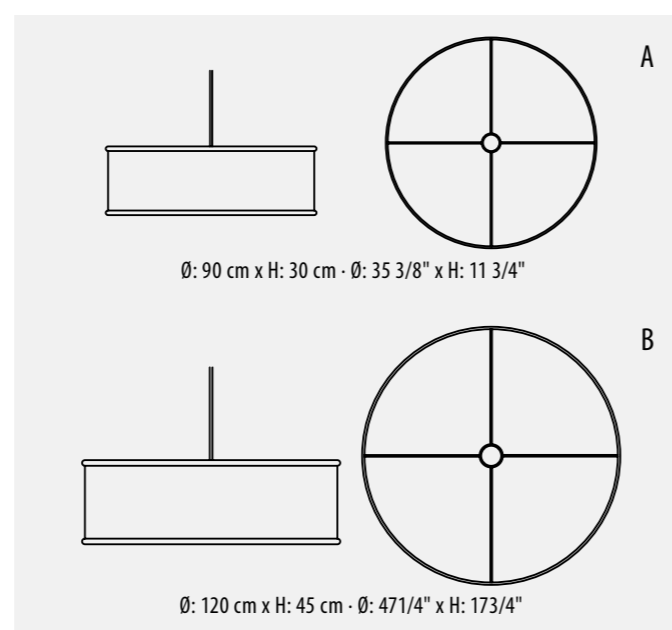
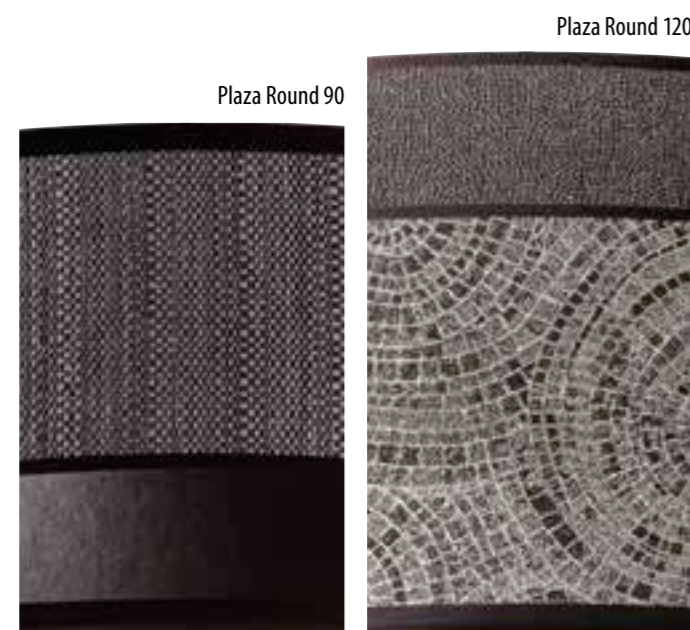
N.3 · Max 60 Watt E27

**Voltage/Tensione**

220 V · Different voltage on request

**Certification/Certificazione**

CE



# Plaza Square Ceiling Lamp 90/120

**Designer**

Massimiliano Raggi

**Description/Descrizione**

Ceiling lamp shade in Tessere™ fabric. For informations about textile categories see Tessere™ Catalogue. Customizations available.

*Lampada a soffitto con paralume scelto tra i tessuti della Collezione Tessere™ di Sicis. Per le categorie tessuti vedi Catalogo Tessere™. Disponibilità di abbinamenti personalizzati.*

**Ceiling Rose/Rosone**

Ø: 15 cm · Ø: 5 7/8"

**Weight/Peso**

1,5 Kg / 2 Kg · 3.31 lbs / 4.41 lbs

**Bulb information/Attacco**

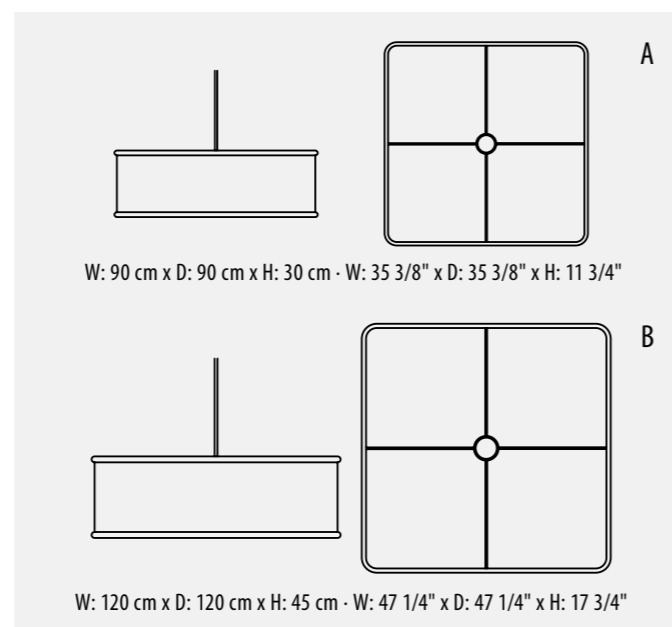
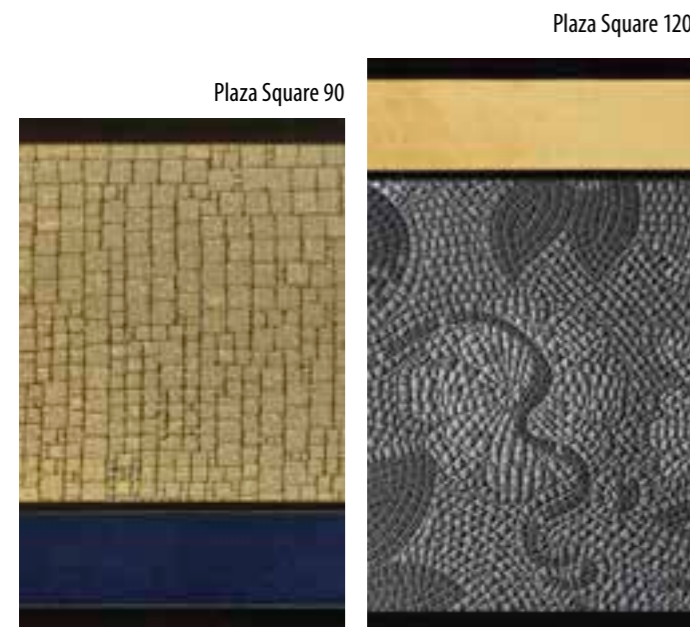
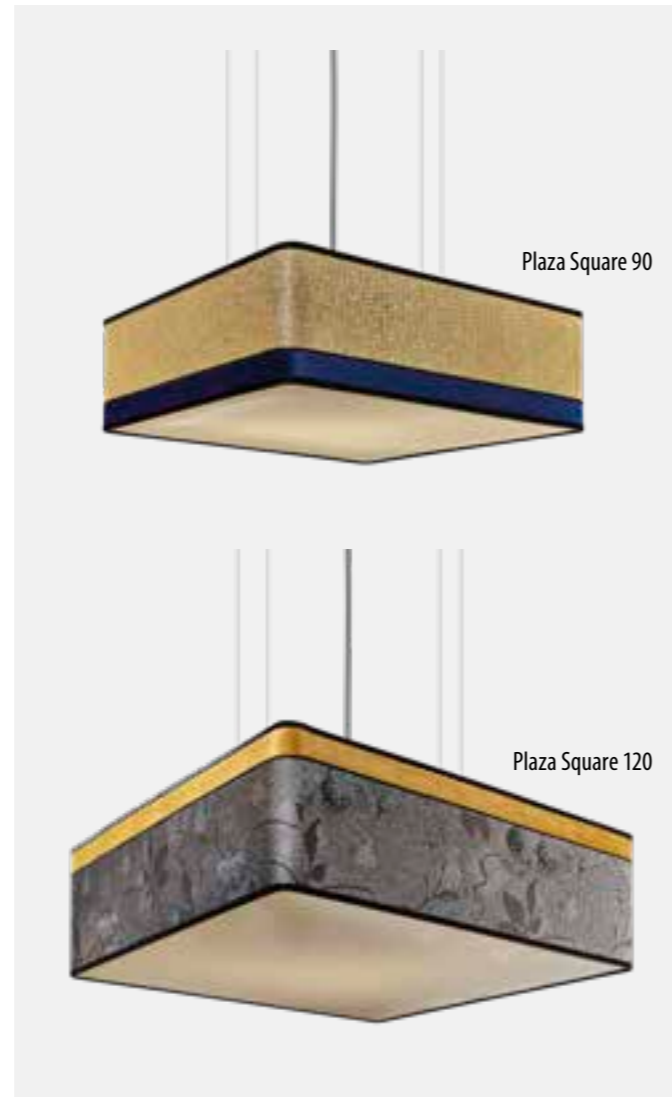
N.3 · Max 60 Watt E27

**Voltage/Tensione**

220 V · Different voltage on request

**Certification/Certificazione**

CE





# Royale Ceiling Lamp

**Designer**

Massimiliano Raggi

**Description/Descrizione**

Ceiling Lamp with bronzed metal frame and lampshade in ivory fabric.  
Opal plate in white plexiglass.

*Lampadario in metallo bronzato e paralume in tessuto color avorio.  
Diffusore interno in metacrilato opalino.*

**Ceiling Rose/Rosone**

90 cm x 15 cm - 35 3/8" x 5 7/8"

**Lampshade/Paralumi**

W: 120 x H: 36 x D: 50 cm - W: 47 1/4" x H: 14 1/8" x D: 19 5/8"

**Rod Length/Lunghezza Cavo**

100 cm - 39 3/8"

**Weight/Peso**

7 kg - 15.43 lbs

**Bulb information/Attacco**

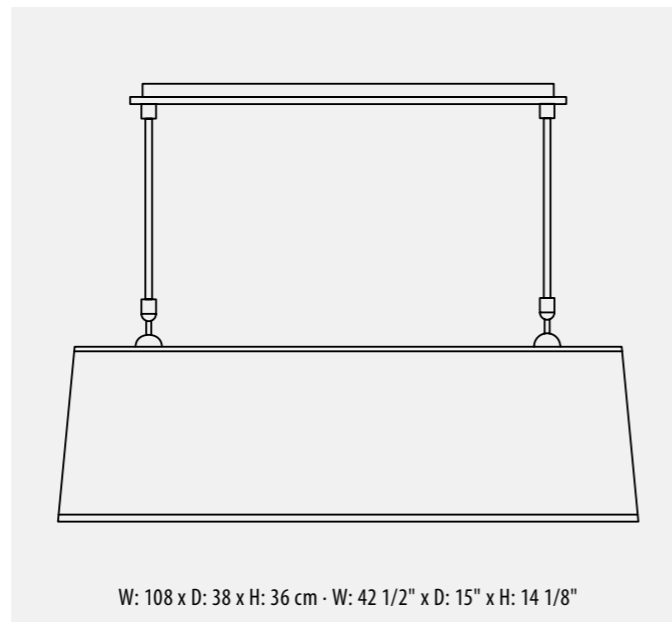
no.3 - Max 60 Watt E27 incl.

**Voltage/Tensione**

220 V - Different voltage on request

**Certification/Certificazione**

CE





# Siam Ceiling Lamp

**Designer**

Massimiliano Raggi

**Description/Descrizione**

Ceiling Lamp with bronzed metal frame. Decorative ceramic elements in polished ivory finish (Version 1) or antique bronze finish decorated by hand (Version 2).

*Lampadario con struttura in metallo bronzato. Elementi decorativi in ceramica finitura avorio lucido (Version 1) o bronzo antico decorato a mano (Version 2).*

**Ceiling Rose/Rosone**

Ø: 19 cm · Ø: 7 1/2"

**Lampshade/Paralumi**

W: 55 x D: 55 x H: 100 cm · W: 21 5/8" x D: 21 5/8" x H: 39 3/8"

**Stem Length/Lunghezza Stelo**

su richiesta / on request

**Weight/Peso**

10 Kg · 22.05 lbs

**Bulb information/Attacco**

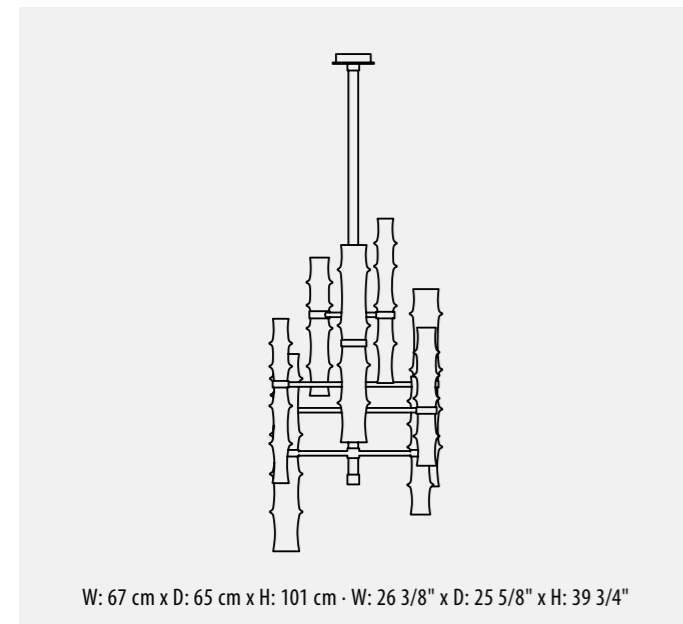
10 · 7,2 Watt GU10 LED · 3000°K · 5750 LUMEN

**Voltage/Tensione**

220 V · Different voltage on request

**Certification/Certificazione**

CE



W: 67 cm x D: 65 cm x H: 101 cm · W: 26 3/8" x D: 25 5/8" x H: 39 3/4"







# Siam Chandelier

**Designer**

Massimiliano Raggi

**Description/Descrizione**

Ceiling Lamp with bronzed metal frame. Decorative ceramic elements in polished ivory finish (Version 1) or antique bronze finish decorated by hand (Version 2).

*Lampadario con struttura in metallo bronzato. Elementi decorativi in ceramica finitura avorio lucido (Version 1) o bronzo antico decorato a mano (Version 2).*

**Ceiling Rose/Rosone**

180 cm x 19 cm - 70 7/8" x 7 1/2"

**Stems Length/Lunghezza Steli**

su richiesta / on request

**Weight/Peso**

19 kg - 41.88 lbs

**Bulb information/Attacco**

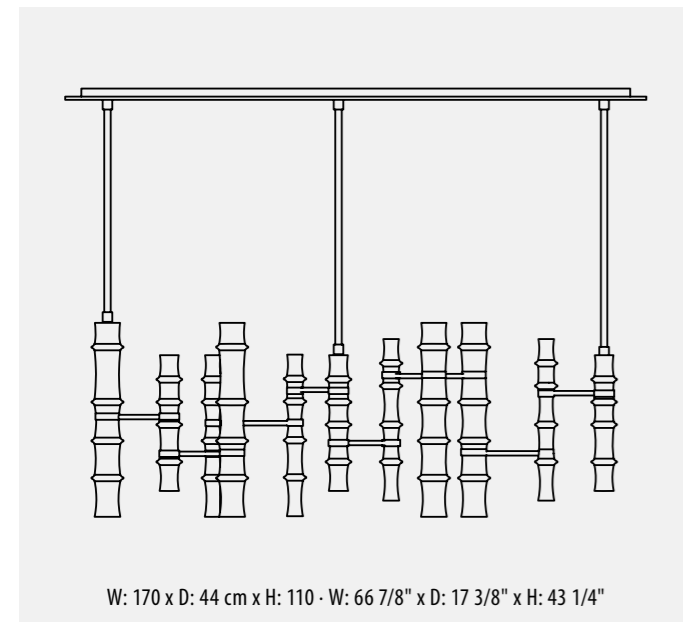
no. 7 - 7,2 Watt GU10 LED - 4000 LUMEN

**Voltage/Tensione**

220 V - Different voltage on request

**Certification/Certificazione**

CE



# Siam Floor Lamp

**Designer**

Massimiliano Raggi

**Description/Descrizione**

Floor Lamp with bronzed metal frame. Decorative ceramic elements in polished ivory finish (Version 1) or antique bronze finish decorated by hand (Version 2).

*Lampada da terra con struttura in metallo bronzato. Elementi decorativi in ceramica finitura avorio lucido (Version 1) o bronzo antico decorato a mano (Version 2).*

**Weight/Peso**

10 kg - 22.02 lbs

**Bulb information/Attacco**

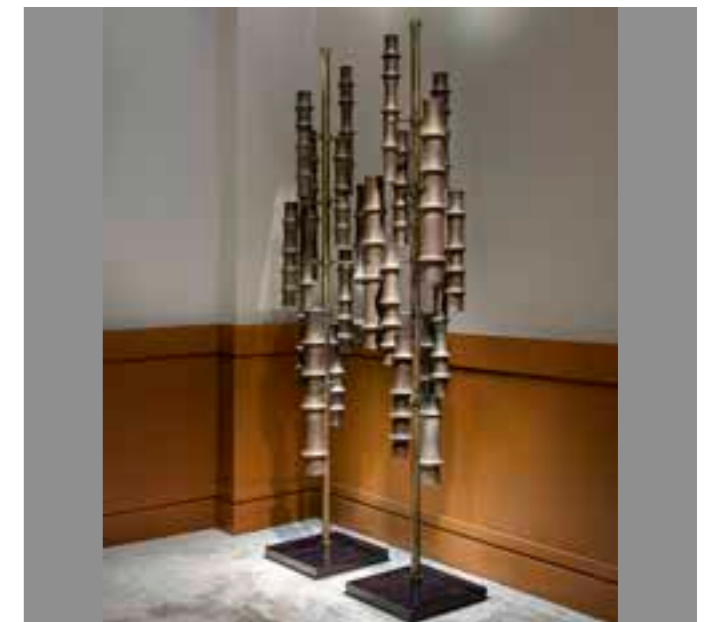
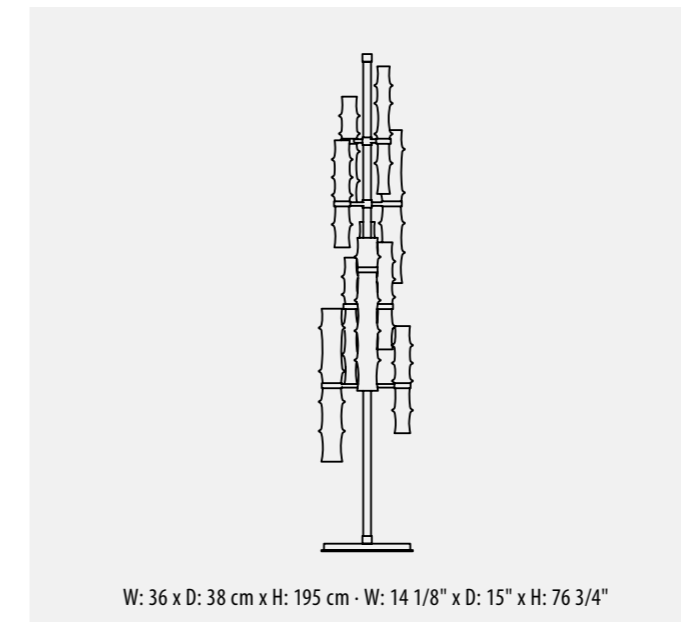
no.10 - 1,5 Watt LED 3000 K incl. - 1500 LUMEN

**Voltage/Tensione**

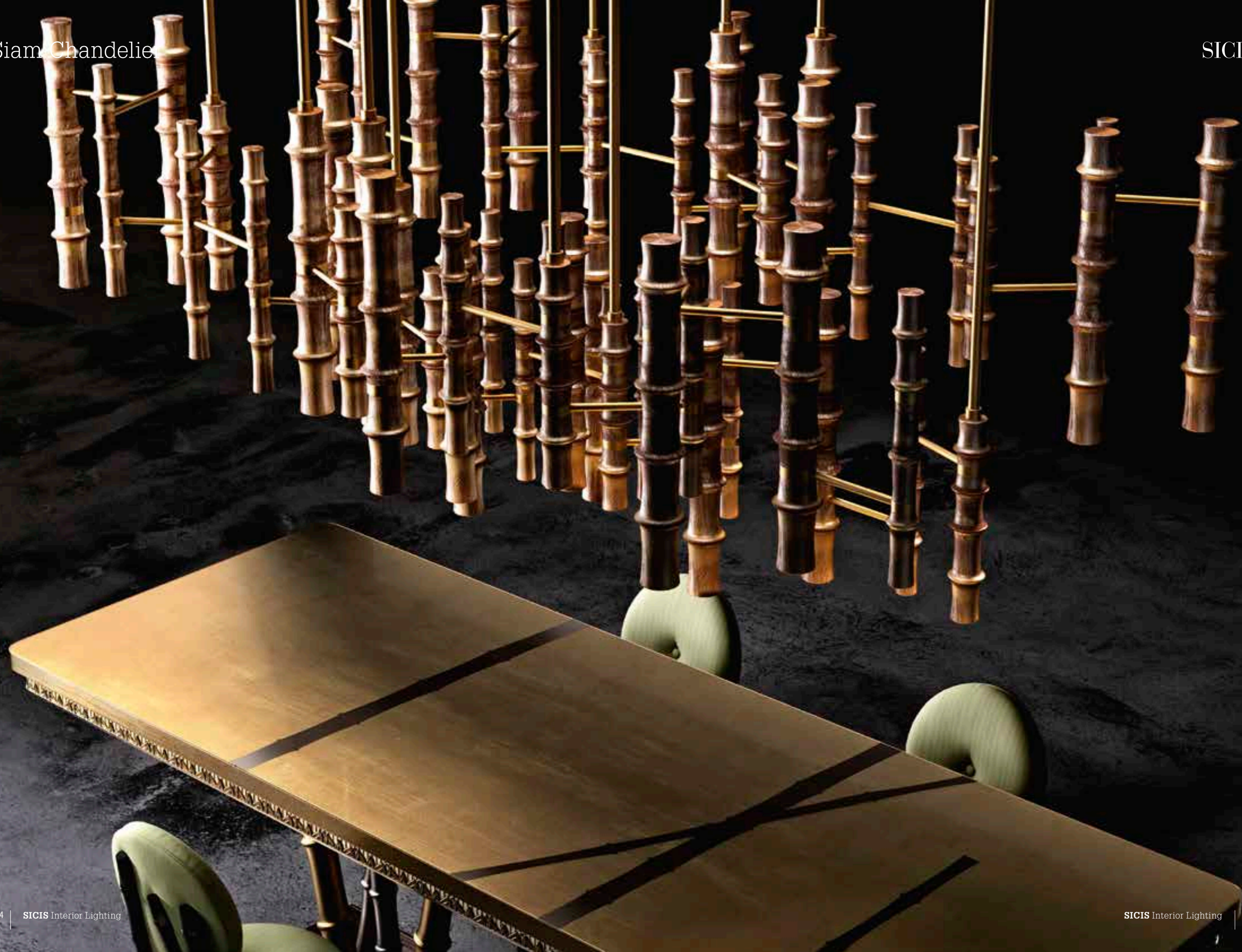
220 V - Different voltage on request

**Certification/Certificazione**

CE







# Siam Table Lamp

**Designer**

Massimiliano Raggi

**Description/Descrizione**

Table Lamp with bronzed metal frame. Decorative ceramic elements in polished ivory finish (Version 1) or antique bronze finish decorated by hand (Version 2).

*Lampada da tavolo con struttura in metallo bronzato. Elementi decorativi in ceramica finitura avorio lucido (Version 1) o bronzo antico decorato a mano (Version 2).*

**Weight/Peso**

7 kg - 15,4 lbs

**Lampshade/Paralumi**

W: 27 x D: 27 x H: 105 cm - W: 10 5/8" x D: 10 5/8" x H: 41 3/8"

**Bulb information/Attacco**

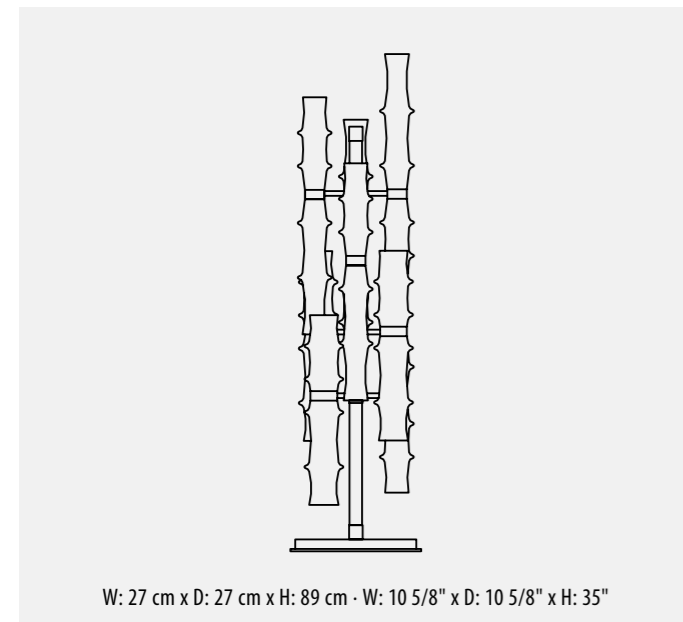
no. 8 - 1,5 Watt LED 3000K incl. - 1200 LUMEN

**Voltage/Tensione**

220 V - Different voltage on request

**Certification/Certificazione**

CE



W: 27 cm x D: 27 cm x H: 89 cm - W: 10 5/8" x D: 10 5/8" x H: 35"



# Siam Wall Sconce

**Designer**

Massimiliano Raggi

**Description/Descrizione**

Wall Lamp with bronzed metal frame. Decorative ceramic elements in polished ivory finish (Version 1) or antique bronze finish decorated by hand (Version 2).

*Lampada a parete con struttura in metallo bronzato. Elementi decorativi in ceramica finitura avorio lucido (Version 1) o bronzo antico decorato a mano (Version 2).*

**Weight/Peso**

6 kg - 13,2 lbs

**Lampshade/Paralumi**

W: 15 x D: 13 x H: 56 cm - W: 5 7/8" x D: 5 1/8" x H: 22"

**Fixing frame/Ingombro fissaggio**

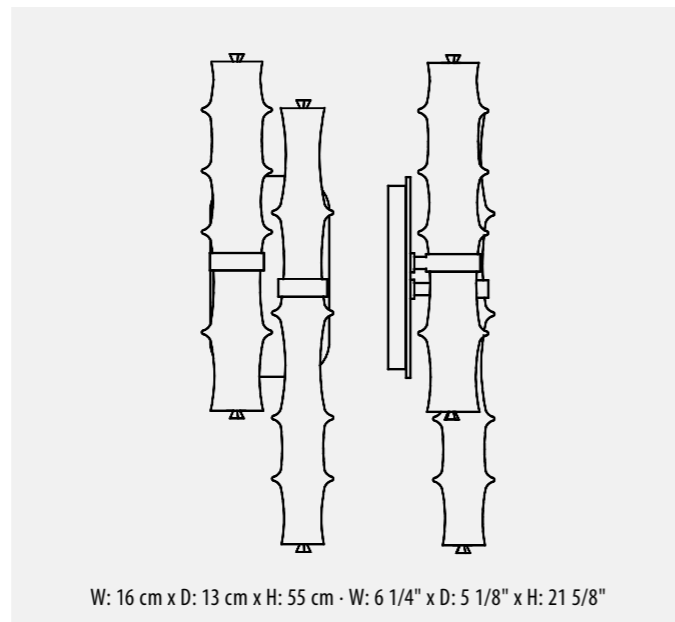
W: 14 cm x H: 23 cm - W: 9" cm x D: 5 1/2"

**Voltage/Tensione**

220 V - Different voltage on request

**Certification/Certificazione**

CE





# Visconti Floor Lamp

## Designer

Massimiliano Raggi

## Description/Descrizione

Floor lamp with brass frame in antique bronze or antique silver finish. Decorative inserts made with three backlit Alicrite plates and one mosaic plate. Base frame in antique bronze or antique silver finish and decorative bronzed or smoked mirror on top. On request customized decorative inserts.

*Lampada da terra con struttura in ottone finitura bronzo antico o silver antico. Elementi decorativi composti da un inserto in Alicrite retroilluminata e un inserto in mosaico artistico. Base lampada con profilo in metallo finitura bronzo o silver antico e top in specchio bronzato o specchio fumè. Su richiesta possibile personalizzazione degli elementi decorativi.*

## Weight/Peso

25 kg - 55,1 lbs

## Bulb information/Attacco

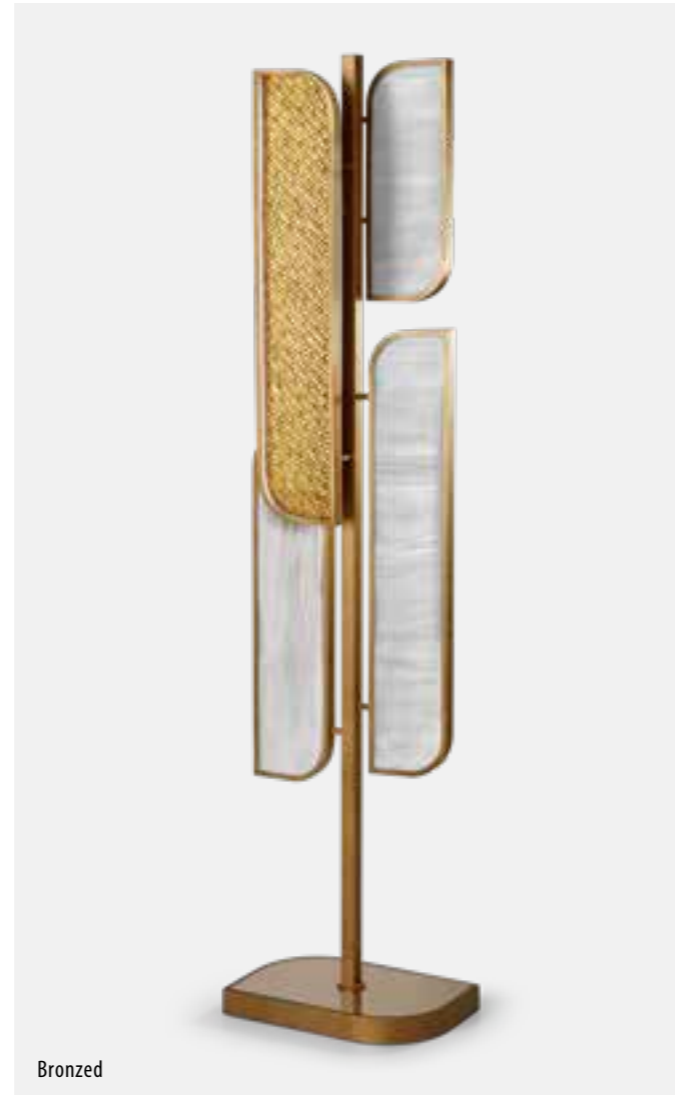
no. 4 Strip LED max 50 Watt 3000 K incl. - 5500 LUMEN

## Voltage/Tensione

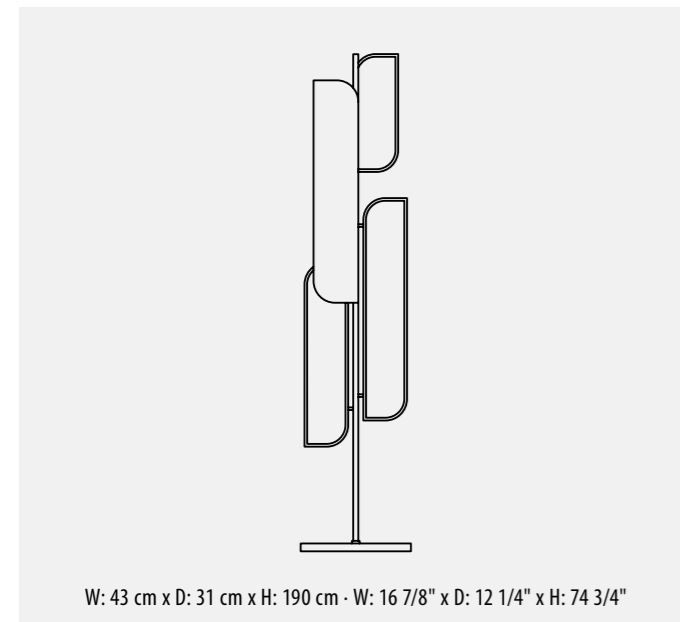
220 V - Different voltage on request

## Certification/Certificazione

CE



Bronzed



W: 43 cm x D: 31 cm x H: 190 cm - W: 16 7/8" x D: 12 1/4" x H: 74 3/4"

# Visconti Table Lamp

## Designer

Massimiliano Raggi

## Description/Descrizione

Table lamp with brass frame in antique bronze or antique silver finish. Decorative inserts made with one backlit Alicrite plate and one artistic mosaic plate. Base frame in antique bronze or antique silver finish and decorative bronzed or smoked mirror on top. On request customized decorative inserts.

*Lampada da tavolo con struttura in ottone finitura bronzo antico o silver antico. Elementi decorativi composti da un inserto in Alicrite retroilluminata e un inserto in mosaico artistico. Base lampada con profilo in metallo finitura bronzo o silver antico e top in specchio bronzato o specchio fumè. Su richiesta possibile personalizzazione degli elementi decorativi.*

## Weight/Peso

8 kg - 17.63 lbs

## Bulb information/Attacco

no. 2 Strip LED max 18,5 Watt 3000 K incl. - 2035 LUMEN

## Voltage/Tensione

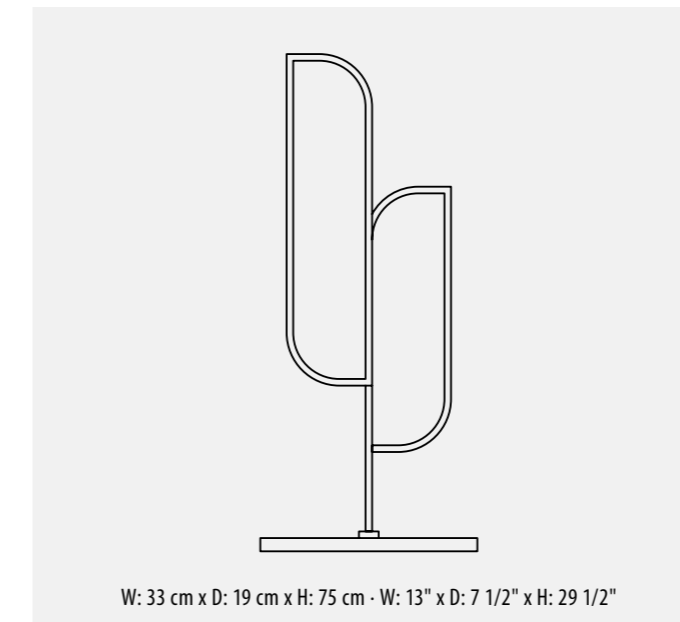
220 V - Different voltage on request

## Certification/Certificazione

CE



Bronzed



W: 33 cm x D: 19 cm x H: 75 cm - W: 13" x D: 7 1/2" x H: 29 1/2"



Chromed

# Visconti Wall Sconce/bronzed-chromed

**Designer**

Massimiliano Raggi

**Description/Descrizione**

Wall lamp with brass frame in antique bronze or antique silver finish. Decorative inserts made with one backlit Alicrite plate and one artistic mosaic plate. On request customized decorative inserts.

*Lampada a parete con struttura in ottone finitura bronzo antico o silver antico. Elementi decorativi composti da un inserto in Alicrite retroilluminata e un inserto in mosaico artistico. Su richiesta possibile personalizzazione degli elementi decorativi.*

**Weight/Peso**

6 kg · 13.22 lbs

**Bulb information/Attacco**

no. 2 Strip LED max 22,5 Watt 3000 K incl. · 2473 LUMEN

**Voltage/Tensione**

220 V · Different voltage on request

**Certification/Certificazione**

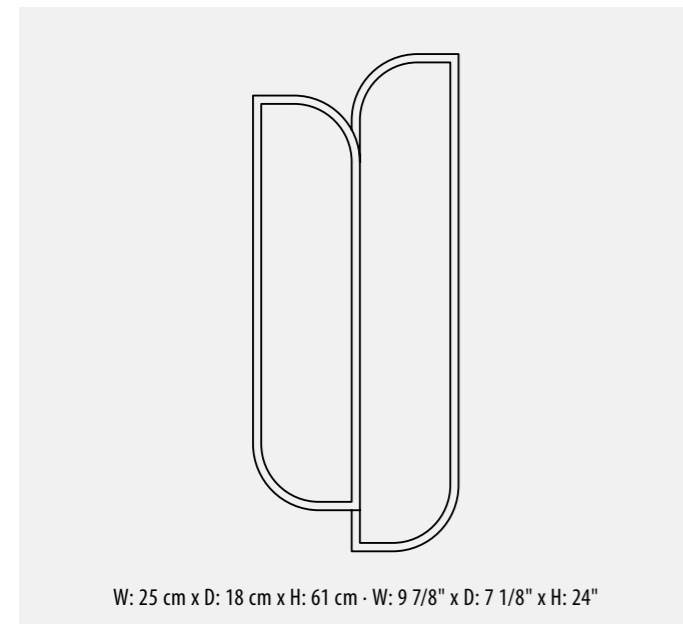
CE



Bronzed



Chromed



W: 25 cm x D: 18 cm x H: 61 cm - W: 9 7/8" x D: 7 1/8" x H: 24"



# Albedo Table Lamp

**Designer**

Roberta Dori Puddu

**Description/Descrizione**

Frame in brass.  
Lampshade with opaline perspex diffuser.  
Decorative elements in brass and wire mesh.

*Struttura in ottone.  
Paralume con diffusore in plexiglass opalino.  
Elementi decorativi in ottone e rete metallica.*

**Weight/Peso**

33.06 lbs · 8 kg

**Bulb information/Attacco**

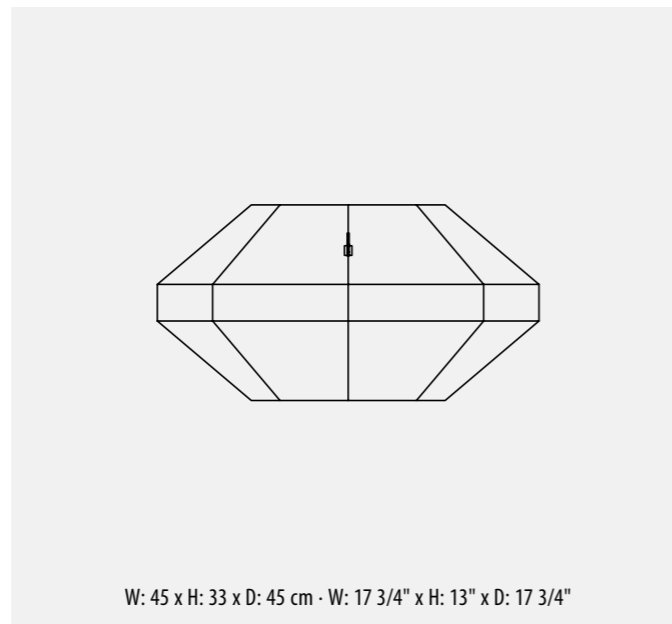
no.8 · Max 40 Watt E27 incl.

**Voltage/Tensione**

220 V · Different voltage on request

**Certification/Certificazione**

CE



# Rubedo Chandelier

**Designer**

Roberta Dori Puddu

**Description/Descrizione**

Frame in brass.  
Lampshade with opaline perspex diffuser.  
Decorative elements and rod covers in brass and wire mesh.

*Struttura in ottone.  
Paralume con diffusore in plexiglass opalino.  
Elementi decorativi e rivestimento cavi in ottone e rete metallica.*

**Ceiling Rose/Rosone**

3 7/8" x 3 7/8" · 10 x 10 cm

**Weight/Peso**

132.27 lbs · 60 kg

**Bulb information/Attacco**

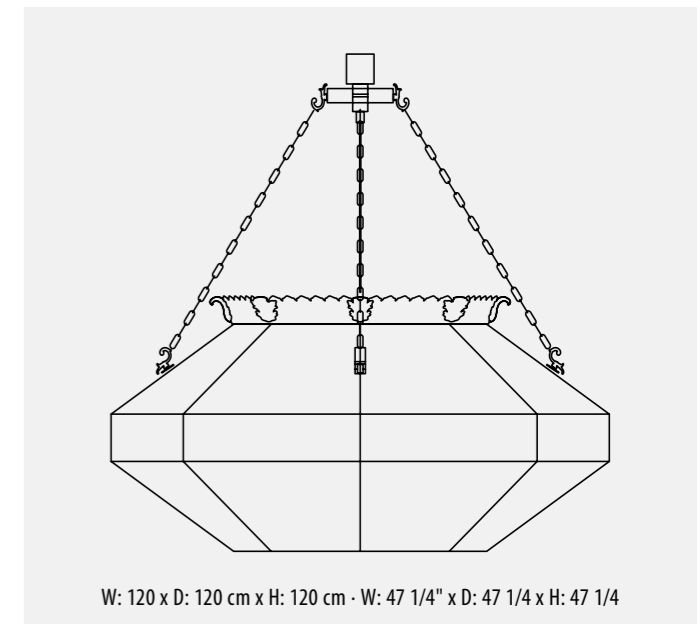
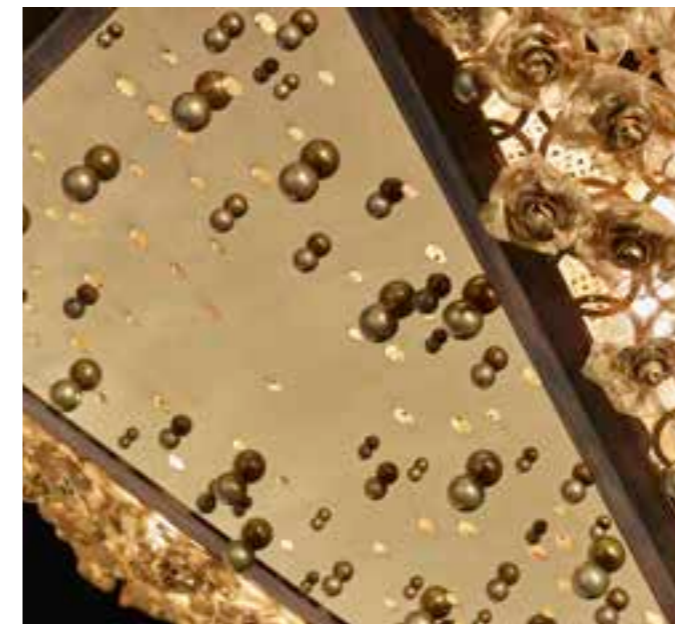
no.8 · Max 40 Watt E27 incl.

**Voltage/Tensione**

220 V · Different voltage on request

**Certification/Certificazione**

CE



# Displays Concept

Display 01 Small/Medium



\*RENDER WITH DISPLAY 01 - MEDIUM

## DISPLAY 01 - MEDIUM\*

### Wall panel sizes/Misure pannello

Wall panel 59" x 94 1/2" · Frame H 4 3/4"/Pannello cm 150 x 240 · Cornice H cm 12  
N.°2 CUBES FOR TABLE LAMP  
N.°1 WALL PANEL

### Elements/Elementi

N.°3 CEILING LAMPS · N.°2 SCONCE LAMPS · N.°2 TABLE LAMPS · N.°1 FLOOR LAMP  
Total/Totale: N.°8 lamps/lampade

## DISPLAY 01 - SMALL

### Wall panel sizes/Misure pannello

Wall panel 59" x 94 1/2" · Frame H 4 3/4"/Pannello cm 150 x 240 · Cornice H cm 12  
N.°1 CUBE FOR TABLE LAMP  
N.°1 WALL PANEL

### Elements/Elementi

N.°2 CEILING LAMPS · N.°2 SCONCE LAMPS · N.°1 TABLE LAMP · N.°1 FLOOR LAMP  
Total/Totale: N.°6 lamps/lampade

Lamp models are indicative and may be choose by the customer or indicated by Sicis.  
*I modelli delle lampade mostrati sono solo indicativi e possono essere scelti dal cliente o suggeriti da Sicis.*

Display 02 - Large/XL



\*RENDER DISPLAY 02 - XL

## DISPLAY 02 - XL\*

### Wall panel sizes/Misure pannello

Wall panel 59" x 94 1/2" · Frame H 4 3/4"/Pannello cm 150 x 240 · Cornice H cm 12  
N.°4 CUBES FOR TABLE LAMP  
N.°2 WALL PANELS

### Elements/Elementi

N.°3 CEILING LAMPS · N.°5 SCONCE LAMPS · N.°4 TABLE LAMPS · N.°2 FLOOR LAMPS  
Total/Totale: N.°14 lamps/lampade

## DISPLAY 02 - LARGE

### Wall panel sizes/Misure pannello

Wall panel 59" x 94 1/2" · Frame H 4 3/4"/Pannello cm 150 x 240 · Cornice H cm 12  
N.°2 CUBES FOR TABLE LAMP  
N.°2 WALL PANELS

### Elements/Elementi

N.°3 CEILING LAMPS · N.°4 SCONCE LAMPS · N.°2 TABLE LAMPS · N.°1 FLOOR LAMP  
Total/Totale: N.°10 lamps/lampade

Lamp models are indicative and may be choose by the customer or indicated by Sicis.  
*I modelli delle lampade mostrati sono solo indicativi e possono essere scelti dal cliente o suggeriti da Sicis.*

# Displays Concept

Display 03



DISPLAY 03

**Wall panel sizes/Misure pannello**

Wall panel 59" x 94 1/2" · Frame H 4 3/4"/Pannello cm 150 x 240 · Cornice H cm 12  
N.°2 CUBES FOR TABLE LAMP  
N.°1 WALL PANEL

**Elements/Elementi**

N.°2 CEILING LAMPS · N.°2 SCONCE LAMPS · N.°2 TABLE LAMPS · N.°1 FLOOR LAMP  
Total/Totale: N.°7 lamps/lampade

Lamp models are indicative and may be choose by the customer or indicated by Sicis.  
*I modelli delle lampade mostrati sono solo indicativi e possono essere scelti dal cliente o suggeriti da Sicis.*

Display 04



DISPLAY 04

**Wall panel sizes/Misure pannello**

Wall panel 59" x 94 1/2" · Frame H 4 3/4"/Pannello cm 150 x 240 · Cornice H cm 12  
N.°3 CUBES FOR TABLE LAMP  
N.°2 WALL PANELS

**Elements/Elementi**

N.°3 CEILING LAMPS · N.°3 SCONCE LAMPS · N.°3 TABLE LAMPS · N.°1 FLOOR LAMP  
Total/Totale: N.°10 lamps/lampade

Lamp models are indicative and may be choose by the customer or indicated by Sicis.  
*I modelli delle lampade mostrati sono solo indicativi e possono essere scelti dal cliente o suggeriti da Sicis.*



## LEGAL NOTICE

By retaining this SICIS catalogue,  
you acknowledge and agree to the following:

This catalogue is and remains the property of SICIS s.r.l. ("SICIS").

SICIS reserves the right, at any time, to request the return of this catalogue.

The catalogue is provided to you FREE OF CHARGE and is NOT FOR RESALE. If you paid for this catalogue, please write to SICIS at the address provided below.

Copyright laws protect the content of this catalogue, including, without limitation, the photographs, images, text, layout and designs contained therein.

The reproduction or copying of any part of this catalogue, including, without limitation, the photographs, images, text, layout and designs contained therein, IS PROHIBITED, and legal action may be commenced against anyone, including, but not limited to, yourself, who violates this prohibition.

By giving you a copy of this catalogue, SICIS is not thereby giving you any license, either implied or express, to reproduce or copy it or any parts of it, in any way.

The trademark SICIS® is a registered trademark and the property of SICIS s.r.l., and is protected under domestic and international laws.

SICIS reserves all its rights and remedies.

Minimum variations in size with respect to dimensions indicated are possible. SICIS reserves the right to make eventual aesthetic, technical or constructive variations, in order to improve the products.

## AVVISO LEGALE

Ricevendo il presente catalogo SICIS,  
prendi atto ed accetti i seguenti termini e condizioni:

Il presente catalogo è e rimane di proprietà di SICIS s.r.l. ("SICIS").

SICIS si riserva il diritto, in qualsiasi momento, di richiederne la restituzione.

Il catalogo è fornito a TITOLO GRATUITO e NON ne è AUTORIZZATA LA RIVENDITA. Se hai dovuto pagare per questo catalogo, ti preghiamo di segnalarcelo scrivendoci all'indirizzo riportato di seguito.

Le leggi in materia di diritto d'autore (Copyright) proteggono il contenuto del presente catalogo, inclusi, senza alcuna limitazione, le fotografie, immagini, testi, layout ed i disegni in esso contenuti.

La riproduzione o la copia di qualsiasi parte del presente catalogo, inclusi, senza alcuna limitazione, le fotografie, immagini, testi, layout ed i disegni in esso contenuti, È VIETATA, e SICIS si riserva il diritto di intraprendere azione legale nei confronti di chiunque (incluso te) violi il presente divieto.

L'aver ricevuto una copia del presente catalogo, non dà diritto in alcun modo ad alcuna licenza da parte di SICIS, né implicita né tantomeno espressa, di riprodurre o copiare, in qualsiasi modo o forma, alcuna parte di esso.

Il marchio SICIS® è un marchio registrato e di proprietà della SICIS s.r.l., ed è protetto dalle leggi nazionali ed internazionali in materia.

SICIS espressamente si riserva tutti i diritti e rimedi.

Variazioni minime di dimensione rispetto alle dimensioni indicate sono possibili. SICIS si riserva il diritto di apportare eventuali varianti estetiche, tecniche o costruttive, al fine di migliorare i prodotti.

SICIS®, TESSERE™ are trademarks of Sisis S.r.l.

SICIS®, TESSERE™ sono marchi di Sisis S.r.l.

[www.sicis.com](http://www.sicis.com) · [info@sicis.com](mailto:info@sicis.com)

SICIS · Sede Legale · Via Borgonuovo, 29 · 20121 Milano (Italy)

© 2019 Sisis s.r.l. Ravenna (Italy) · Printed in Italy · July 2019

### SICIS ITALY

#### Showroom Milano

20121 · Via Fatebenefratelli, 8  
Ph. +39 02 87 60 99 · Fax +39 02 72 09 68 53  
**Showroom & Factory Ravenna** (Italy)  
48123 · Via Canala, 85  
Ph. +39 0544 469 711 · Fax +39 0544 46 98 11

### SICIS FRANCE

#### Showroom Paris

75008 · 41, Rue François 1er  
Ph. +33 (0)1 4952 8989 · Fax +33 (0)1 4952 8990

### SICIS SPAIN

#### Showroom Madrid

28006 · 33, calle José Ortega y Gasset  
Ph. +34 91066252

### SICIS UNITED KINGDOM

#### Showroom & Offices London

15A Dover St, Mayfair, W1S 4LR  
Ph. +44 207 491 9849

### SICIS ME

#### Showroom & Offices Dubai, (UAE)

Villa 12 · P. O. Box 23592  
Corner of Umm Al Sheif & Jumeirah Beach Road  
Ph. +971 (0)4 395 3835 · Fax +971 (0)4 395 3860

### SICIS NORTH AMERICA

#### Corporate Headquarters New York

10454 · 150 Bruckner Blvd Bronx  
Ph. +1 212 965 4100 · Fax +1 646 390 4587

### SICIS HONG KONG

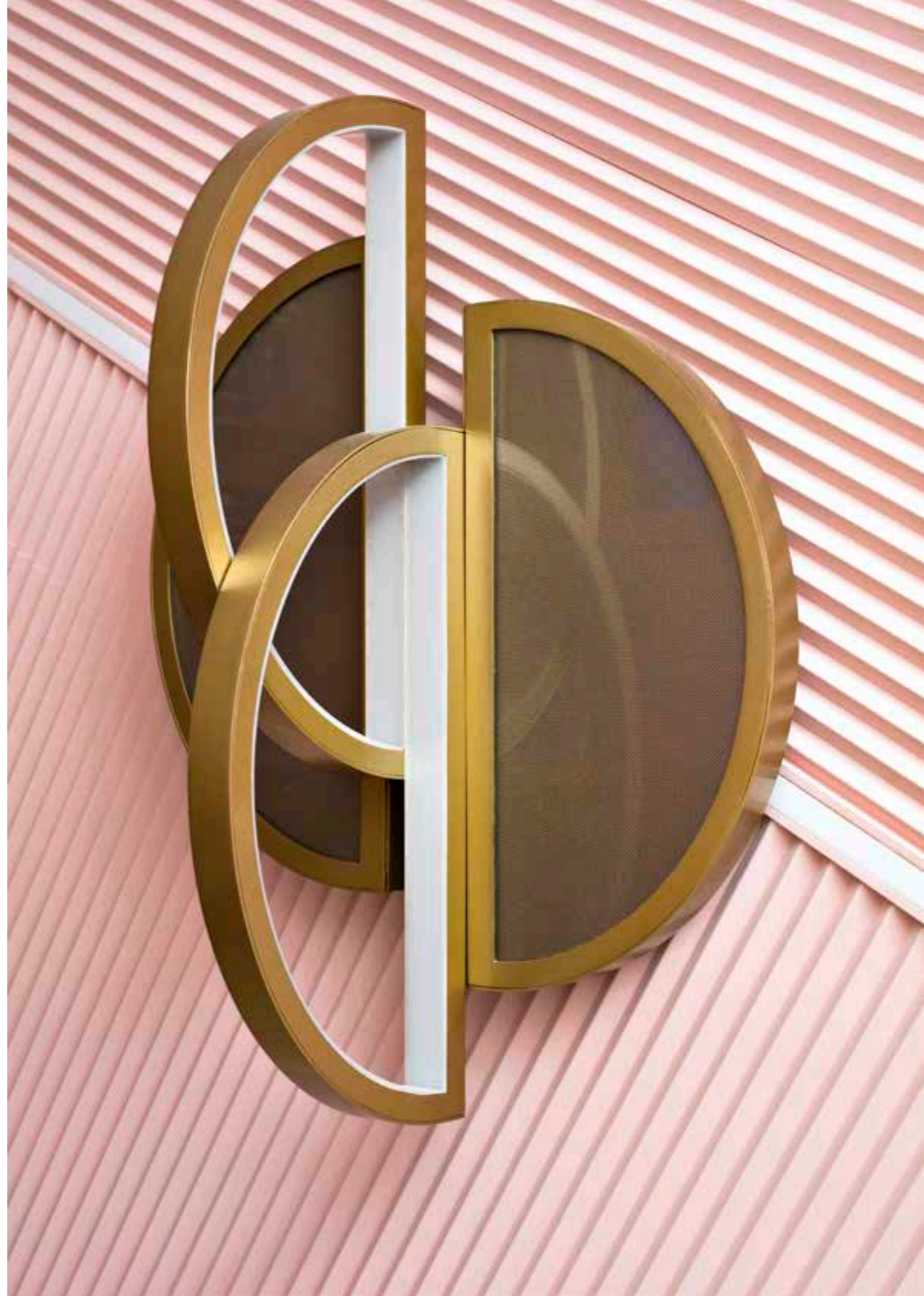
#### Showroom Hong Kong

Queen's Cube  
235/237 Queen's Road East, Wan Chai  
Ph. +(852) 2832 2830 · Fax +(852) 2833 9009

### SICIS SHANGHAI

#### Showroom Shanghai

Room B101 · B1 Floor · Bellagio Shanghai  
188<sup>th</sup> North Suzhou Road · Hongkou District  
Shanghai, China 200080  
Mob. +(86) 138 1060 0765 · +(86) 15921504586





SICIS®